

NEW

**300**  
SERIES

**917 Crew**



\* Illustration may contain items not standard to the model

## KEY FEATURES

- 7 Seat Crew Cab – 3 Front, 4 Rear
- Dual SRS Airbags
- Easy Start – Take Off Assist
- Disc Brakes
  - Front & Rear
  - ABS, VSC & TRC – all STD
- Energy Absorbing Steering Wheel
- ADR 80/03 Emission using EURO 5
- Also meets EEV emission levels
- Driver's suspension seat

## ADR 80/03 Model Wide Crew Cab 4 x 2 Cab Chassis

## KEY SPECIFICATIONS

<b>GVM.</b>	. . . . .	.7995kg, optional 8500kg
<b>GCM.</b>	. . . . .	11,500kg, optional 12,000kg
<b>Engine.</b>	. . . . .	.4.0-litre, Common Rail, Direct Injection, Turbocharged and Intercooled
<b>Power</b>	. . . . .	121kW @ 2500 RPM (ISO NET)
<b>Torque.</b>	. . . . .	464Nm @ 1400 RPM (ISO NET)
<b>Wheelbases</b>	. . . . .	.4200mm
<b>Nominal Max Body length</b>	. . . . .	.5070mm





# 917 Crew

## Engine & Driveline specifications

### ENGINE

Engine . . . . .	Hino N04C UT
Max output (ISO Net) . . . . .	121kW (165 PS) at 2500 RPM
Max torque (ISO Net) . . . . .	464Nm (47.3 kgf/m) at 1400 RPM
Maximum engine speed . . . . .	3100 RPM
Type . . . . .	Diesel, four cycle, four-cylinder in line, overhead valve, water cooled
Combustion system . . . . .	Direct injection type
Bore & stroke . . . . .	104 x 118mm
Piston displacement . . . . .	4.009 litres
Fuel injection system . . . . .	Electronic control, common rail type
Air intake system . . . . .	Turbo-intercooled, stack-type air intake
Air cleaner . . . . .	Paper element
Fan clutch . . . . .	Equipped
Exhaust system . . . . .	Catalytic Converter with Diesel Particulate Active Reduction System (DPR)
Exhaust outlet . . . . .	Horizontal
Emission control system . . . . .	EGR & DPR meeting ADR 80/03 using Euro 5 Also meets EEV emission levels

### CLUTCH

Clutch type . . . . .	Dry single plate, diaphragm type with damper springs
Facing outside diameter . . . . .	325mm
Facing lining area . . . . .	483 x 2cm <sup>2</sup>
Control . . . . .	Hydraulic with vacuum booster

### TRANSMISSION

<b>Manual</b> . . . . .	MZZ6F
Type . . . . .	Six-speed overdrive manual

### BRAKES

Service brakes . . . . .	Hydraulic system with ventilated disc brakes front and rear
Control . . . . .	Vacuum servo with hydraulic assist & dual circuits
Front disc diameter . . . . .	287mm
Rear disc diameter . . . . .	287mm
Anti-lock system (ABS) . . . . .	Equipped
Vehicle Stability Control . . . . .	Equipped
Traction Control . . . . .	Equipped
Easy Start system . . . . .	Equipped
Exhaust brake . . . . .	Electric-vacuum actuator with valve in exhaust pipe
Park brake . . . . .	Rear of transmission

### PERFORMANCE & GEAR RATIOS

Engine RPM @ 100km/h . . . . .	2600
Maximum speed (km/h) . . . . .	119
Gradeability tan $\theta$ % @ GVM . . . . .	43.7
Final drive ratio . . . . .	4.875:1

#### MZZ6F

1st . . . . .	.6.369	5th . . . . .	.1.000
2nd . . . . .	.3.767	6th . . . . .	.0.782
3rd . . . . .	.1.966	Rev. . . . .	.6.369
4th . . . . .	.1.355		

### AXLE LOAD & TYRE LOAD LIMITS

Front axle . . . . .	3100kg
Tyres . . . . .	3100kg
Rear axle . . . . .	6200kg
Tyres . . . . .	6000kg
Front axle type . . . . .	I Beam
Rear axle type . . . . .	SH13 full-floating, single reduction, single speed by Hypoid gears

### SUSPENSION

#### Front suspension

<b>Leaf</b> . . . . .	Semi-elliptic taper leaf springs with shock absorbers & stabiliser
Spring dimensions, span & width . . . . .	1250mm x 70mm

#### Rear suspension

<b>Leaf</b> . . . . .	Semi-elliptic main and auxiliary tapered leafsprings with silencers and shock absorbers
Spring dimensions, span & width . . . . .	1310mm x 70mm
Auxiliary springs . . . . .	900mm x 70mm

### WHEEL & TYRES

Wheel type . . . . .	6-stud disc wheel
Wheel & rim size . . . . .	225/80R17.5 123/122
Number of tyres . . . . .	Seven including spare
Spare tyre carrier . . . . .	Equipped

### ELECTRICAL

Type . . . . .	24 volt, negative earth
Batteries . . . . .	12V x 2, series connected
Alternator type . . . . .	Built-in rectifier and voltage regulator
Capacity . . . . .	24V – 80 Amp
Starter capacity . . . . .	24V, 4.5kW



# 917 Crew

## Cab equipment & Instrumentation

### CHASSIS FRAME

Type . . . . .	Ladder-shaped channel section side rails
Chassis width at rear . . . . .	750mm
Max. section (depth x flange x thickness) . . . . .	192.8 x 65 x 5.9mm
Tensile strength . . . . .	540N/mm <sup>2</sup>
Towing hooks . . . . .	Equipped at front and rear
Front bumper . . . . .	Painted to cabin colour

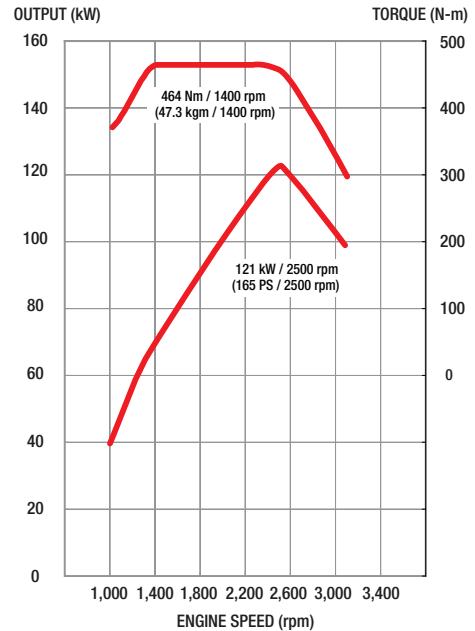
### CAB EXTERIOR

Type . . . . .	Forward control, all steel welded construction, fully trimmed
Windscreen wipers . . . . .	Electric, dual wipers, intermittent and 2-speed
Outside rear mirrors . . . . .	Remote control & heated
Radiator grille . . . . .	Painted same colour as cabin
Lamps . . . . .	Halogen headlamps, fog lamps

### CAB INTERIOR

Steering . . . . .	Telescopic tilt column with integral power steering
Windscreen glass . . . . .	Laminated glass
Seating capacity . . . . .	Seven
Driver's seat . . . . .	4-way adjustable, urethane foam pads, high-back, lumbar support with suspension base
Assistant's seat . . . . .	Fixed bench, urethane foam pads, high-back
Rear seat . . . . .	Bench type
Seat cover . . . . .	Fabric cover
<b>Seat belts</b>	
Driver's seat . . . . .	3-point type with ELR and pre-tensioner
Assistant's seat . . . . .	3-point type with ELR and pre-tensioner
Centre passenger's seat . . . . .	2-point type
Rear seat . . . . .	3-point type on both sides with ELR 2-point type on centre seats
Sun visors . . . . .	For driver and passenger
Ventilator . . . . .	Forced type by electric blower
Inside rear mirror . . . . .	One, flat type
Cigarette lighter (24 volt) . . . . .	Equipped
Audio . . . . .	DAB AM/FM radio with CD&DVD player & Bluetooth
Heater and defroster . . . . .	Equipped
Air conditioner . . . . .	Equipped front & rear
Remote door locking . . . . .	Equipped
Immobiliser . . . . .	Equipped
Power windows . . . . .	Equipped
SRS airbag . . . . .	Equipped for driver and left side front passenger
Seat back console . . . . .	Equipped (centre)
Overhead consoles . . . . .	For driver and assistant
Cup holder . . . . .	Equipped

### POWER & TORQUE CHART (ISO Net) N04C UT



### INSTRUMENTS

- Meters and gauges**
  - km-kg system
  - Engine tachometer
- Warning, pilot lamps and buzzers**
  - Turning signal & hazard indicator lamp
  - Exhaust brake indicator lamp
  - Engine oil pressure warning lamp
  - Battery charge warning lamp
  - High beam indicator lamp
  - Parking brake indicator lamp
  - Engine malfunction indicator lamp
  - Fuel level warning lamp
  - Fuel filter water accumulating level warning lamp
  - Brake fluid level warning lamp
  - Back-up warning buzzer
  - Cab-tilt warning lamp
  - ABS system failure warning lamp
  - SRS airbag system failure warning lamp
  - Easy Start indicator lamp
- Switches**
  - Lighting switch
  - Wiper and washer switch
  - Exhaust brake switch
  - Easy Start switch
  - Easy Start release timing adjuster switch
  - Traction Control OFF
- Multi Information Display**
  - Fuel gauge
  - Coolant temperature gauge
  - DPR accumulation gauge
  - Odometer
  - 2 trip meters
  - Fuel consumption
    - Current
    - Average
- Others**
  - One-key starting-stopping
  - Horn button
  - Remote door locking

### STEERING

Type . . . . .	Telescopic and tilt steering column with locking device. Recirculating ball with integral power steering.	
Steering angle . . . . .	<b>Inside:</b> 44°	<b>Outside:</b> 34°

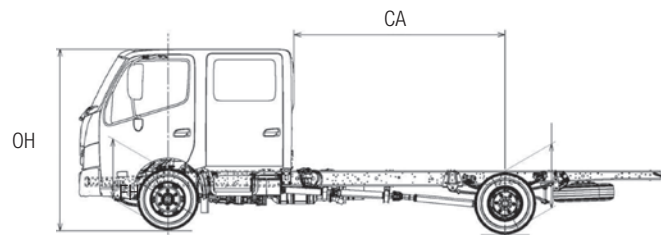
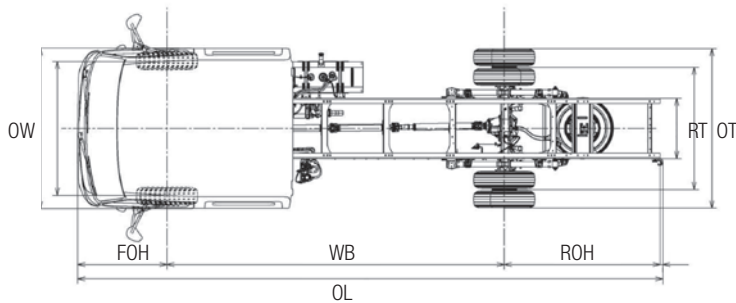


# 917 Crew

# 300

S E R I E S

## Dimensions



### DIMENSIONS – mm / Capacities

<b>Model</b>	917 XLong Crew
<b>Product code</b>	XZU730R-QKFTTQ3
<b>Wheelbase (WB)</b>	4200
<b>Nominal Max Body Length</b>	5070
<b>Overall tyre width (OT)</b>	2060
<b>Overall length (OL)</b>	7285
<b>Overall width (OW) CAB</b>	1995
<b>Overall height (OH)</b>	2255
<b>Front track</b>	1655
<b>Rear track</b>	1590
<b>Cab to axle centre (CA)</b>	2630
<b>Front overhang (FOH)</b>	1110
<b>Rear overhang (ROH)</b>	1940
<b>Front chassis height</b>	720
<b>Rear chassis height</b>	815
<b>Road clearance</b>	200
<b>Turning circle - m (kerb-to-kerb)</b>	14.8
<b>Turning circle - m (wall-to-wall)</b>	16.2
<b>Fuel tank – lt.</b>	100
<b>Indicative chassis mass – kg (standard tools, 10 litres of fuel, without spare tyre)</b>	
<b>Total</b>	2675
<b>Front</b>	1770
<b>Rear</b>	905
<b>GVM*</b>	8500
<b>GCM*</b>	12,000

\*Std GVM = 7995 OPT 8500; Std GCM = 11,500 OPT 12,000

### GENUINE ACCESSORY OPTIONS

- |                              |             |
|------------------------------|-------------|
| Bull bar                     | Roof scoop  |
| Chrome wheel covers          | Side skirts |
| GPS sat nav                  | Stoneguard  |
| Rear vision camera (up to 3) | Sunvisor    |

**Please check with your dealer for price, availability & fitment for these options**

### WARRANTY

New vehicle warranty period

Light Duty Model	Axle configuration	Standard warranty (whichever comes first)	Cab corrosion perforation
<b>300 917 Crew</b>	<b>4 x 2</b>	<b>3 years or 100,000km</b>	<b>36 months</b>

Battery warranty – 12 months from date of delivery

Genuine parts or accessories warranty – 3 years unlimited kilometres when fitted by an authorised Hino dealer \*

\* For conditions, refer to the Hino Parts & Service warranty brochure

### DISCLAIMER

Important notice. Hino Trucks are distributed in Australia by Hino Motor Sales Australia Pty Ltd A.C.N. 064 989 724.

All efforts have been made to ensure the information contained in this brochure was correct at time of printing or uploading. Hino Motor Sales Australia Pty Ltd reserves the right to alter any details of the specifications & equipment without notice. Hino in so far as it is permitted by law to do so, shall not be liable in any way as a result of any reliance placed by any person on anything contained in this brochure. You should therefore check with your authorised Hino dealer at the time of ordering your motor vehicle to ensure that colour, specifications, equipment, design features & options are available for the vehicle you are ordering. Please note that some options may only be available in combination with others. Authorised Hino dealers will on request provide up to date information on all accessories, design features, prices & availability.

Date of issue - 01/10/11 917 Crew v3.1