



**ADR 80/03 Model
4 x 2 Cab Chassis**

* Illustration may contain item not standard to the model

KEY FEATURES

- Cruise Control
- ABS Brakes
- Easy Start – Take-off Assist
- Front Axle Stabiliser
- ECER29 Cab Strength Compliant
- FUP (ADR 84/00 Complied)
- Drivers SRS Airbag
- Heated & Electrically Operated External Mirrors
- ISRI 6800 Driver seat with integrated Safety Belt

KEY SPECIFICATIONS

GVM	15,500kg
GCM	32,000kg
Power	206kW @ 2400 RPM
Torque	824Nm @ 1500 RPM
Transmission	Six-speed synchromesh
Wheelbase	4280mm (Medium), 5530mm (X Long), 6220mm (XX Long)





FG 1628 Six Engine & Driveline specifications

ENGINE

Model	Hino J08E-VD
Max. output (ISO NET)	206kW (280 PS) at 2400 RPM
Max. output (JIS GROSS)	210kW (285 PS) at 2400 RPM
Max. torque (ISO NET)	824Nm (84kgf/m) at 1500 RPM
Max. torque (JIS GROSS)	843Nm (86kgf/m) at 1500 RPM
Max. engine speed	2500 RPM
Engine compliance	ADR 80/03
Type	Diesel, turbocharged & intercooled, six-cylinder in-line, overhead camshaft & water-cooled
Combustion system	Direct injection with EGR
Bore & stroke	112 x 130mm
Piston displacement	7.684L
Compression ratio	17:1
Engine oil capacity	12.7L
Coolant capacity	24.5L
Fuel injection pump	Electronic control common-rail type
Intake system	Stack type air intake
Air cleaner	Dual paper elements
Air compressor type	Single cylinder, water-cooled
Bore & stroke	85 x 40mm
Fan clutch	Equipped
Exhaust	Horizontal outlet with DPR
Emission Control System	EGR & DPR meeting ADR 80/03 using EURO V Std

CLUTCH

Model	CS-380 series
Type	Dry single plate with damper springs
Facing material	Moulded (non-asbestos)
Facing outside diameter	380mm
Control	Hydraulic with air booster

TRANSMISSION & GEAR RATIOS

Model	MFO6S
Type	Six forward & one reverse speeds, direct drive, synchromesh on 2nd to 6th
Control	Mechanical control
Rear axle gear ratio	4.3:1

1st	.8.189	5th	.1.341
2nd	.5.340	6th	.1.000
3rd	.3.076	Rev.	.7.142
4th	.1.936		

PERFORMANCE

Calculations based on 15.5 ton GVM, 11R22.5 drive tyres	
Engine RPM @ 100km/h	2260
Speed limited to (km/h)	100
Max. theoretical speed (km/h)	110
Gradeability tan θ (%) @ GVM	35.9

BRAKES

Type	Full air, dual circuit, "S" cam type, leading & trailing shoes for front and rear
Drum diameter x lining	
Width	Front: 406.4 x 127mm Rear: 406.4 x 203mm
Air dryer	Equipped
ABS	Equipped
Parking brake type	Spring brake, acting on rear wheels
Exhaust brake type	Electric-pneumatic with valve in exhaust pipe
Easy Start	Equipped

AXLE LOAD & TYPE

Front axle	6500kg
Rear axle	10,000kg
Front axle type	MF671 series, Reversed Elliot, I-Beam
Rear axle type	SH16 full-floating, single reduction, single-speed hypoid

SUSPENSION

Front suspension Type	Semi-elliptic tapered leaf springs with shock absorbers & stabiliser
Size	1470 span x 80mm width
Rear suspension Type	Semi-elliptic main & auxiliary leaf springs
Size	
Main springs	1400 span x 90mm width
Auxiliary springs	980 span x 90mm width

WHEELS & TYRES

Wheel type	10-stud disc wheel (ISO type) 335 PCD
Rim size	8.25 x 22.5 – 165-12mm
Tyre size	Front: 295/80R22.5 – 152/148 Rear: 11R22.5 – 148/145
Number of tyres	Seven (including one spare tyre)
Spare tyre carrier	Equipped

FUEL TANK

Capacity	200L for Medium, 400L for XL & XXL
Fuel pre-filter & sedimentor	Equipped
Fuel tank cap key	Equipped



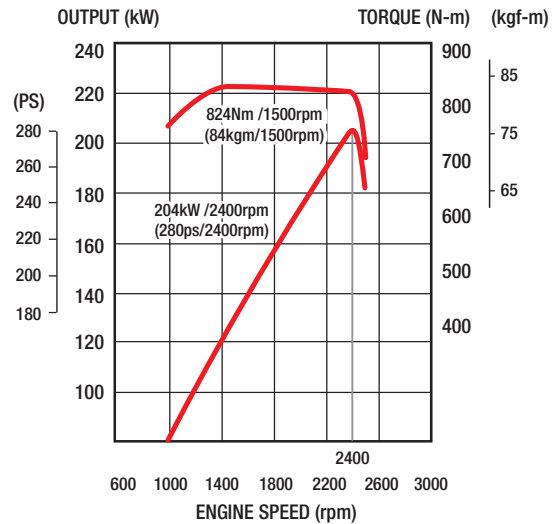
FG 1628 Six

Cab, Instrumentation & Chassis

CAB DETAILS

Type	Forward control, all-steel construction mounted on coil spring suspension with electro hydraulic tilt mechanism
ECER29 Cab strength.	Compliant
Drivers SRS Airbag.	Equipped with pretensioner seatbelt
Seating capacity	Three
Driver's seat	ISRI 6800 with urethane foam pads, high-back, lumbar support, multi adjustable, air suspended, with integrated safety belt
Side passenger's seat	Urethane foam pads, high-back & reclining seat with fabric cover & air suspension
Centre passenger's seat	Urethane foam pads & foldaway type with seat back tray, fabric cover
Seat belt	3-point type on driver's & side passenger's seat, 2-point type on centre passenger's seat
Sun visor and overhead console	For driver & passenger sides
Windshield wipers	Electric, dual, intermittent & 2-speed
Ventilator	Forced type by electric blower
Rear view mirrors	External: Electric & heated, two flat type, two convex spotters
Cigarette lighter 24V	Equipped
Floor mat	Vinyl type
Front air spoiler	Equipped
Central locking & keyless entry	Equipped with immobiliser
Heater and defroster	Standard
Air conditioner	Standard
Trim	Full trim type (side, roof & back)
Cab pockets	Equipped on both door sides
Power windows	Equipped
Rest area	Equipped
Car audio	DAB AM/FM radio with CD & DVD player and Bluetooth
Speakers	Driver's & passenger sides
Foot rest	Equipped
Easy Start	Equipped
Engine control link	Equipped
Speed limiter	Equipped
Cup holder	Equipped
Cruise Control	Equipped

POWER & TORQUE CHART (ISO Net) J08E-VD



INSTRUMENTS

- | | |
|--|---|
| <ol style="list-style-type: none"> Meters & gauges
Speedometer with trip meter
Odometer
Tachometer
Fuel gauge
Coolant temperature gauge
Air pressure gauge Switches
One-key starting-stopping
Lighting
Directional indicator, dimmer & passing
Wiper and washer
Hazard lamp
Exhaust brake
Map lamp
Fog lamp
DPR regeneration | <ol style="list-style-type: none"> Mirror controls Warning, pilot lamps & buzzers
Oil pressure warning lamp & buzzer
Air pressure warning lamp & buzzer
Engine over-run warning buzzer
Coolant level warning lamp & buzzer
High beam indicator lamp
Turn signal indicator lamp
Parking brake indicator lamp
Seat belt warning lamp & buzzer
Exhaust brake indicator lamp
Engine control system warning lamp
Hazard indicator lamp
Back-up warning buzzer Others
Idle up control knob
Horn button
12V electric source |
|--|---|

STEERING

Type	Telescopic and tilt steering column with locking device. Recirculating ball with Integral Power Steering
Gear ratio	20.2:1
Steering angle	Inside: 39-42° Outside: 32°

CHASSIS FRAME

Type	Ladder-shaped channel-section side rails
Rear chassis width	870mm
Max. section (depth x flange x thickness)	
Main	269 x 85 x 7.5mm (Medium), 270 x 85 x 8.0mm (X Long), 270 x 90 x 8.0mm (XX Long)
Inner stiffener	254 x 74 x 3.2mm (for XX Long only)
Tensile strength	Main: 540N/mm ² {55kgf/mm ² } Inner: 440N/mm ² {45kgf/mm ² }
Hooks	Equipped for front & rear
Chassis step	Equipped
Factory FUP	Equipped

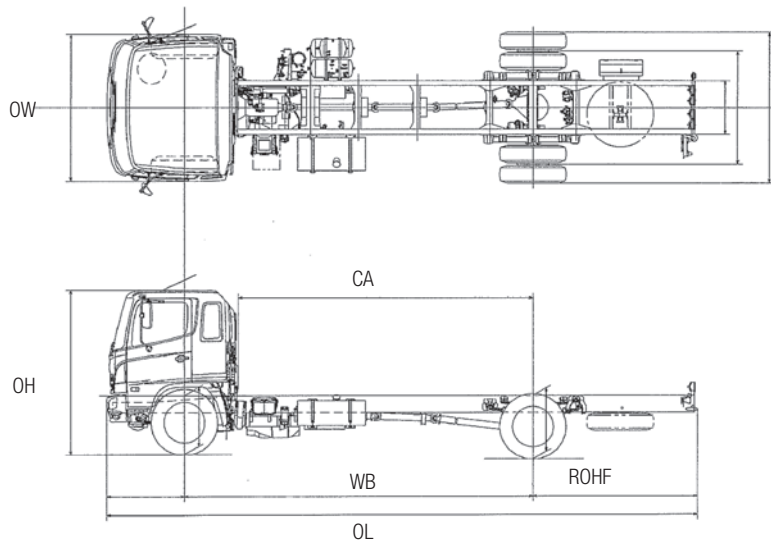
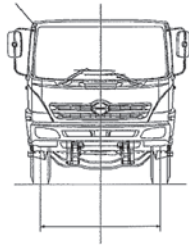
ELECTRICAL

Type	24V, negative earth
Batteries	2 x 12V, series-connection. Capacity 120Ah at 20-hour rate
Alternator type	Brushless with built-in rectifier & voltage regulator
Capacity	24V, 60A
Starter type	24V, 4.5W
Headlamps	Halogen type including fog lamps
High/low beam	Equipped
Fluorescent reading lamp	Equipped
Electric horn	Equipped



FG 1628 Six

Dimensions



DIMENSIONS - mm / Capacities

Model Hino FG 1628 Six	Medium	X LongXX Long
Production code	FG8JMB-QHU	FJ8JPMB-QHU	FG8JSMB-QHU
Wheelbase (WB)	4280	5530	6220
Overall length (OL)	7470	9360	10,450
Overall width (OW)	2450	2450	2450
Overall height (OH)	2645	2645	2645
Cab to rear axle centre (CA)	3420	4670	5360
Rear overhang (at frame end) (ROHF)	1910	2550	2950
Front chassis height (HF)	960	960	960
Rear chassis height (HR)	1025	1025	1025
Road clearance (at diff. case) (RC)	250	250	250
Front track (FT)	1925	1925	1925
Rear track (RT)	1840	1840	1840
Turning circle kerb to kerb	15,600	19,800	22,000
Turning circle wall to wall	17,050	21,250	23,450
Chassis mass kg - (standard tools, 10 litres of fuel, without spare tyre)			
Total	5065	5230	5370
Front	3070	3165	3250
Rear	1995	2065	2020
GVM	15,500	15,500	15,500
GCM	32,000	32,000	32,000

GENUINE ACCESSORY OPTIONS

Chrome wheel covers	Stoneguard
Sat Nav	Sunvisor
Rear vision camera (up to 3)	Timber dash panel
Roof scoop	Engine driven PTO 1:1.08 step-up
Side skirts	FUP compliant bull bar

Please check with your dealer for price, availability & fitment for these options

WARRANTY

New vehicle warranty period

Medium Duty Model	Axle configuration	Standard warranty <small>(whichever comes first)</small>	Cab corrosion perforation
500 FG 1628 Six	4 x 2	3 years or 150,000km	36 months

Battery warranty – 12 months from date of delivery

Genuine parts or accessories warranty – 3 years unlimited kilometres when fitted by an authorised Hino dealer *

* For conditions, refer to the Hino Parts & Service warranty brochure

DISCLAIMER

Important notice. Hino Trucks are distributed in Australia by Hino Motor Sales Australia Pty Ltd A.C.N. 064 989 724.

All efforts have been made to ensure the information contained in this brochure was correct at time of printing or uploading. Hino Motor Sales Australia Pty Ltd reserves the right to alter any details of the specifications and equipment without notice. Hino in so far as it is permitted by law to do so, shall not be liable in any way as a result of any reliance placed by any person on anything contained in this brochure. You should therefore check with your authorised Hino dealer at the time of ordering your motor vehicle to ensure that colour, specifications, equipment, design features and options are available for the vehicle you are ordering. Please note that some options may only be available in combination with others. Authorised Hino dealers will on request provide up to date information on all accessories, design features, prices and availability.

Date of issue - 01/01/12 FG 1628 Six V3.2