



**ADR 80/03 Model  
6 x 4 Cab Chassis**

\* Illustration may contain item not standard to the model

## KEY FEATURES

- Cruise Control
- ABS Brakes
- Air Suspension on rear axles
- ECER29 Cab Strength Compliant
- FUP (ADR 84/00 Complied)
- Drivers SRS Airbag
- Heated & Electrically Operated External Mirrors
- ISRI 6800 Drivers seat with integrated Safety Belt

## KEY SPECIFICATIONS

<b>GVM.</b>	26,000kg
<b>GCM.</b>	38,000kg
<b>Power</b>	206kW @ 2400 RPM
<b>Torque</b>	824Nm @ 1500 RPM
<b>Transmission</b>	Nine-speed synchromesh
<b>Wheelbase</b>	4240mm (Medium), 6500mm (XX Long)





# FM 2628 Air

## Engine & Driveline specifications

### ENGINE

Model	HINO J08E-VD
Max. output (ISO Net)	206kW (280 PS) at 2400 RPM
Max. output (JIS GROSS)	210kW (285 PS) at 2400 RPM
Max. torque (ISO Net)	824Nm (84kgf/m) at 1500 RPM
Max. torque (JIS GROSS)	843Nm (86kgf/m) at 1500 RPM
Max. engine speed	2500 RPM
Engine compliance	ADR 80/03
Type	Diesel, turbocharged & intercooled, six-cylinder in-line, overhead camshaft & water-cooled
Combustion system	Direct injection with EGR
Bore & stroke	112 x 130mm
Piston displacement	7.684L
Compression ratio	17:1
Engine oil capacity	12.7L
Coolant capacity	25.5L
Fuel injection pump	Electronic control common-rail type
Intake system	Stack-type air intake
Air cleaner	Dual paper elements
Air compressor	Single cylinder, water-cooled
Bore & stroke	85 x 60mm
Fan clutch	Equipped
Exhaust	Horizontal outlet with DPR
Emission Control System	EGR & DPR meeting ADR 80/03 using EURO V Std

### CLUTCH

Model	CS-380 series
Type	Dry single plate with damper springs
Facing material	Moulded (non-asbestos)
Facing outside diameter	380mm
Control	Hydraulic with air booster

### TRANSMISSION & GEAR RATIOS

Model	EATON FS8209BBE
Type	Nine forward and one reverse speeds, synchromesh on 1st to 9th
Control	Mechanical control
Rear axle gear ratio	4.875:1 (Medium) . . . 4.625:1 (XX Long)

1st	12.637	6th	.2481
2nd	.8.806	7th	.1.845
3rd	.6.550	8th	.1.343
4th	.4.768	9th	.1.000
5th	.3.548	Rev.	13.210

### PERFORMANCE

Calculations based on 26.0 ton GVM, 11R22.5 drive tyres

	<b>Medium.</b>	<b>XX Long</b>
Engine RPM @ 100km/h	. . . . .	2430
Speed limited to (km/h)	. . . . . 100	100
Max theoretical speed (km/h)	. . . . . 99	103
Gradeability tan $\theta$ (%) @ GVM	. . . . . 37.5	35.4

### BRAKES

Type	Full air, dual circuit, "S" cam type, leading & trailing shoes for front and rear
Drum diameter x lining	
Width	Front: 406.4 x 152mm Rear: 406.4 x 216mm
Air dryer	Equipped
ABS	Equipped
Parking brake	Spring brake, acting on FA & FR axles
Exhaust brake	Electric-pneumatic with valve in exhaust pipe

### AXLE LOAD & TYPE

Front axle	6500kg
Rear axle	20,000kg
Front axle type	MF671 series, Reversed Elliot, I-Beam
Rear axle type	THD17 full-floating single reduction, single-speed hypoid, Tandem Drive with inter axle differential lock

### SUSPENSION

<b>Front suspension</b> Type	Semi-elliptic tapered leaf springs with shock absorbers
Size	1470 span x 80mm width
<b>Rear suspension</b> Type	Hendrickson HAS Air bag with shock absorbers

### WHEELS & TYRES

Wheel type	10-stud disc wheel (ISO type) 335 PCD
Rim size	8.25 x 22.5 – 165-12mm
Tyre size	Front: 295/80R22.5 – 152/148 Rear: 11R22.5 – 148/145
Number of tyres	Eleven (including one spare tyre)
Spare tyre carrier	Equipped (XX Long only)

### FUEL TANK

Capacity	300L for medium, 400L for XXL
Fuel pre-filter & sedimenter	Equipped
Fuel tank cap key	Equipped



# FM 2628 Air

## Cab, Instrumentation & Chassis

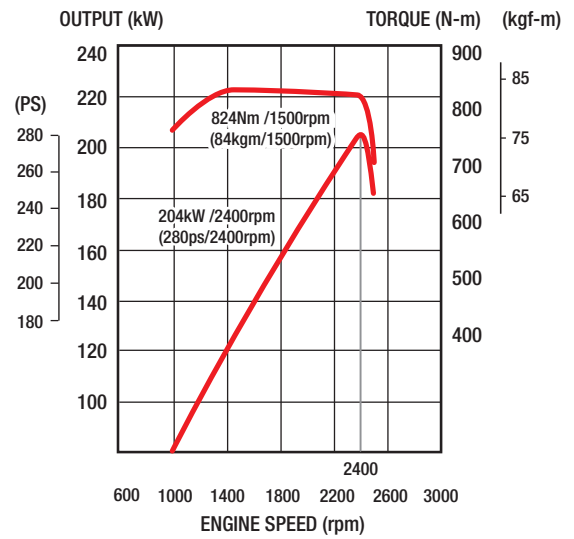
### CAB DETAILS

Type . . . . .	Forward control, all-steel construction, mounted on coil spring suspension with electro hydraulic tilt mechanism
ECER29 Cab strength. . . . .	Compliant
Drivers SRS Airbag. . . . .	Equipped with pretensioner seatbelt
Seating capacity . . . . .	Three
Driver's seat . . . . .	ISRI 6800 with Urethane foam pads, high-back, lumbar support, Multi adjustable, air suspended, with integrated safety belt.
Side passenger's seat . . . . .	Urethane foam pads, high-back & reclining seat with fabric cover & air suspension
Centre passenger's seat . . . . .	Urethane foam pads & foldaway type with seat back tray, fabric cover
Seat belt . . . . .	3-point type on driver's & side passenger's seat, 2-point type on centre passenger's seat
Sun visor and overhead console . . . . .	For driver & passenger sides
Windshield wipers . . . . .	Electric, dual, intermittent & 2-speed
Ventilator . . . . .	Forced type by electric blower
Rear view mirrors . . . . .	External: Electric & heated, two flat type, two convex spotters
Cigarette lighter 24V . . . . .	Equipped
Floor mat . . . . .	Vinyl type
Front air spoiler . . . . .	Equipped
Central locking & keyless entry . . . . .	Equipped
Heater and defroster . . . . .	Standard
Air conditioner . . . . .	Standard
Trim . . . . .	Full trim type (side, roof & back)
Cab pockets . . . . .	Equipped on both door sides
Power windows . . . . .	Equipped
Audio . . . . .	DAB AM/FM radio with CD & DVD player and Bluetooth
Speakers . . . . .	Driver & passenger sides
Rest area . . . . .	Equipped
Foot rest . . . . .	Equipped
Engine control link . . . . .	(Medium only)
Speed limiter . . . . .	Equipped
Cup holder . . . . .	Equipped
Cruise Control . . . . .	Equipped

### ELECTRICAL

Type . . . . .	24V, negative earth
Batteries . . . . .	12V x 2, series connection. Capacity 120Ah at 20-hour rate
Alternator type . . . . .	Brushless with built-in rectifier & voltage regulator. Capacity 24V, 60A
Starter type . . . . .	24V, 4.5kW
Headlamps . . . . .	Halogen type including fog lamps
High/low beam . . . . .	Equipped
Fluorescent reading lamp . . . . .	Equipped
Electric horn . . . . .	Equipped

### POWER & TORQUE CHART (ISO Net) J08E-VD



### INSTRUMENTS

- Meters & gauges**
  - Speedometer with trip meter
  - Odometer
  - Tachometer
  - Fuel gauge
  - Coolant temperature gauge
  - Air pressure gauge
- Switches**
  - One-key starting-stopping
  - Lighting
  - Directional indicator, dimmer & passing
  - Wiper & washer
  - Hazard lamp
  - Exhaust brake
  - Map lamp
  - Fog lamp
  - DPR regeneration
  - Mirror controls
- Warning, pilot lamps & buzzers**
  - Oil pressure warning lamp & buzzer
  - Air pressure warning lamp & buzzer
  - Engine over-run warning buzzer
  - Coolant level warning lamp & buzzer
  - High beam indicator lamp
  - Turn signal indicator lamp
  - Parking brake indicator lamp
  - Seat belt warning lamp & buzzer
  - Exhaust brake indicator lamp
  - Engine control system warning lamp
  - Hazard indicator lamp
  - Back-up warning buzzer
  - Speed limiter warning indicator lamp
- Others**
  - Idle up control knob
  - Horn button
  - 12V electric source

### STEERING

Type . . . . .	Telescopic and tilt steering column with locking device. Recirculating ball with Integral Power Steering
Gear ratio . . . . .	20.2:1
Steering angle . . . . .	<b>Inside:</b> 39-42° <b>Outside:</b> 32°

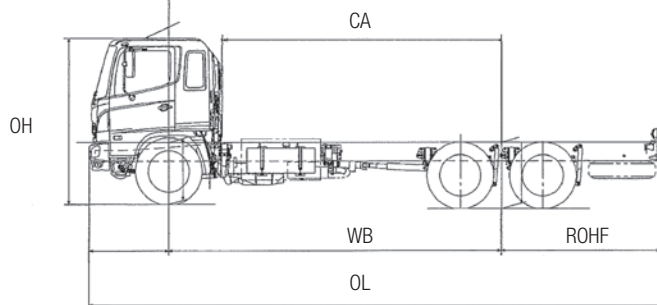
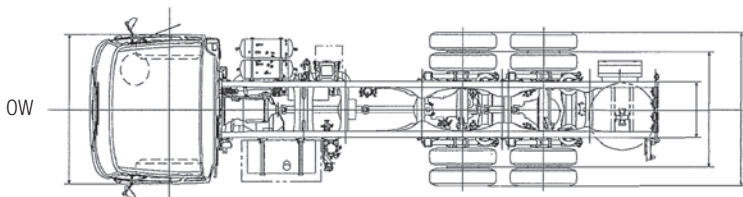
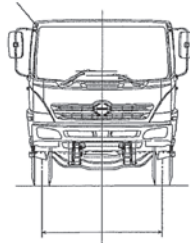
### CHASSIS FRAME

Type . . . . .	Ladder-shaped channel-section side rails
Rear chassis width . . . . .	870mm
Max. section (depth x flange x thickness) . . . . .	Main: 298 x 90 x 7.0mm Inner: 284 x 77 x 3.2mm
Tensile strength . . . . .	540N/mm <sup>2</sup> {55 kgf/mm <sup>2</sup> }
Hooks . . . . .	Equipped for front and rear
Chassis step . . . . .	Equipped
Factory FUP . . . . .	Equipped



# FM 2628 Air

## Dimension



### DIMENSIONS - mm / Capacities

<b>Model</b> Hino FM 2628 Air	Medium	XX Long
Production code	FM8JLMU-RHU	FM8JWKG-RHU
Wheelbase (WB)	4240	6500
Overall length (OL)	7450	11,085
Overall width (OW)	2450	2450
Overall height (OH)	2680	2680
Cab to rear axle centre (CA)	3400	5660
Rear overhang (at frame end) (ROHF)	1915	3285
Front chassis height (HF)	1025	1025
Rear chassis height (HR)	1055	1055
Road clearance (at diff. case) (RC)	245	245
Front track (FT)	1925	1925
Rear track (RT)	1840	1840
Turning circle kerb to kerb	17,000	24,600
Turning circle wall to wall	18,450	26,050
<b>Chassis mass – kg (standard tools, 10 litres of fuel, without spare tyre)</b>		
Total	6565	6910
Front	3050	3220
Rear	3515	3690
GVM	26,000	26,000
GCM	38,000	38,000

### GENUINE ACCESSORY OPTIONS

Chrome wheel covers	Stoneguard
Sat Nav	Sunvisor
Rear vision camera (up to 3)	Timber dash panel
Roof scoop	Engine driven PTO 1:1.08 step-up
Side skirts	FUP compliant Bull bar

Please check with your dealer for price, availability & fitment for these options

### WARRANTY

New vehicle warranty period

Medium Duty Model	Axle configuration	Standard warranty <small>(whichever comes first)</small>	Cab corrosion perforation
500 FM 2628 Air	6 x 4	3 years or 200,000km	36 months

Battery warranty – 12 months from date of delivery

Genuine parts or accessories warranty – 3 years unlimited kilometres when fitted by an authorised Hino dealer \*

\* For conditions, refer to the Hino Parts & Service warranty brochure

### DISCLAIMER

Important notice. Hino Trucks are distributed in Australia by Hino Motor Sales Australia Pty Ltd A.C.N. 064 989 724.

All efforts have been made to ensure the information contained in this brochure was correct at time of printing or uploading. Hino Motor Sales Australia Pty Ltd reserves the right to alter any details of the specifications and equipment without notice. Hino in so far as it is permitted by law to do so, shall not be liable in any way as a result of any reliance placed by any person on anything contained in this brochure. You should therefore check with your authorised Hino dealer at the time of ordering your motor vehicle to ensure that colour, specifications, equipment, design features and options are available for the vehicle you are ordering. Please note that some options may only be available in combination with others. Authorised Hino dealers will on request provide up to date information on all accessories, design features, prices and availability.

Date of issue - 01/01/12 FM 2628 Air V3.2

