



RANGER-PRO 6

HI-GRADE

• RATINGS (kg)

4x2 Truck Chassis

	GVM	GCM
Ratings	10,400	16,000

DIMENSIONS (mm): All dimensions are to standard specification and unladen chassis

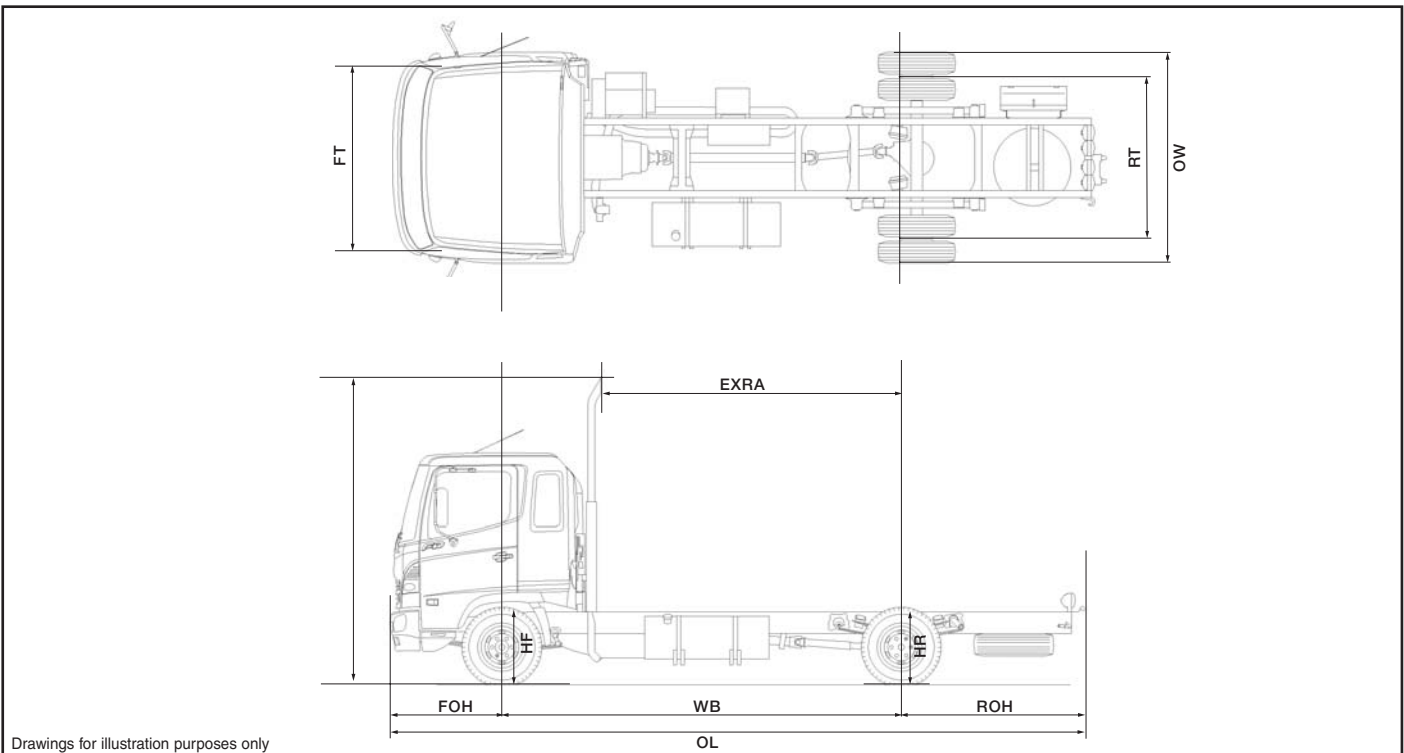
Model		Medium HI-GRADE	Long HI-GRADE	XLong HI-GRADE
Model Ordering Code		FD1JJPA HG	FD1JLPA HG	FD1JPPA HG
Wheelbase	WB	4,250	4,850	5,500
Overall Length	OL	7,390	8,240	9,250
Overall Width	OW	2,175		
Overall Height	OH	3,260		
Cab Height		2,450		
Exhaust to Rear Axle Centre	EXRA	3,245	3,845	4,495
Front Overhang	FOH	1,185		
Rear Overhang	ROH	1,810	2,060	2,420
Front Chassis Height	HF	775		
Rear Chassis Height	HR	875		
Front Track	FT	1,770		
Rear Track	RT	1,660		
Road clearance (at diff. Case)		215		
Turning Radius (kerb to kerb)		6,700	7,500	8,500
Turning Radius (Swept)		7,400	8,200	9,200

• **CHASSIS MASS (kg):** Chassis mass quoted is to standard specification with full tank of fuel but without spare tyre and tool kit

Chassis Mass (kg)	Total	3,370	3,460	3,525
	Front	2,175	2,230	2,275
	Rear	1,195	1,230	1,250

• **PERFORMANCE:** Calculations based on Engine speed 2,900 r/min at rated GVM and standard specifications

Max. theoretical speed km/h	122	130
Gradeability (theoretical, tanθ)%	57.9	53.1



Drawings for illustration purposes only

Important Notice Hino Trucks are distributed in Australia by Hino Motor Sales Australia Pty Ltd A.C.N. 064 989 724. Information contained in this brochure was correct at time of printing. Hino Motor Sales Australia Pty Ltd reserves the right to alter any details of the specifications and equipment without notice. Hino in so far as it is permitted by law to do so, shall not be liable in any way as a result of any reliance placed by any person on anything contained in this brochure. You should therefore check with your authorised Hino dealer at the time of ordering your motor vehicle to ensure that colour, specifications, equipment, design features and options are available for the vehicle you are ordering. Please note that some options may only be available in combination with others. Authorised Hino dealers will on request provide up to date information on all accessories, design features, prices and availability.

• ENGINE		• FUEL TANK		
Max. output (JIS Gross)	HINO J08C-UJ 173 kW at 2,500 rpm	Capacity	200 litres	
Max. torque (JIS Gross)	706 Nm at 1,500 rpm	Fuel pre-filter & sedimenter	Equipped with water separator	
Max engine speed	2,900 rpm	• CHASSIS FRAME		
Type	Diesel, turbo charged & inter-cooled, 6 cylinder in-line with 4 valves per cylinder and overhead camshaft. Mechanical Governor. Combustion by Timed Injection-rate Control System (TICS) and employing Hino's Micro Mixing System (HMMS)	Type	Parallel Chassis	
Bore and Stroke	114 x 130mm	Rear chassis width	820mm	
Displacement	7,961cc	Size	228.6 x 73 x 5.3mm (Medium) 231.6 x 73 x 6.8mm (Long,XLong)	
Compression Ratio	18.0:1	Tensile strength	540N/mm ² {55kgf/mm ² }	
Cooling Fan	Indirect type fitted with viscous coupling	Hook	Equipped for front & rear	
• CLUTCH		Tool Box	Mounted on chassis	
Hino CS-350		• CAB		
Type	Dry single plate with damper springs	Type	EGIS safety cab. Forward Control, all steel construction with torsion bar tilt mechanism.	
Control	Hydraulic with air booster	Seating capacity	Three	
Facing Material	Cerametallic	Driver's seat	ISRI air suspension seat with lumbar support and an automatic pressure setting according to driver's weight. Adjustable slide, height, recline, swab angle and head restraint. Urethane foam padding with fabric upholstery. Three point auto retracting lap sash belt with a height adjustable shoulder anchor	
Facing outside diameter	350mm	Side passengers seat	Reclining high back urethane padded seat with head restraint and fabric upholstery. Three point auto retracting lap sash belt	
• TRANSMISSION		Centre passenger's seat	Urethane foam padded seat and backrest which folds flat into a snack bench with a storage console. Fabric upholstery. Two point lap seat belt	
LJ06S		Sun Visor	Fitted for driver and passenger side	
Type	6 Forward & 1 Reverse speeds. Over Drive with mechanical control and power assisted shift. Synchromesh 2nd-6th	Windshield wipers	2-speed and intermittent control	
Gear Ratio	1st	6.893	5th	1.000
	2nd	4.274	6th	0.770
	3rd	2.607	Rev.	6.453
	4th	1.564		
• FRONT AXLE		Over-head console	Fitted for driver and passenger side	
LF366		Audio	AM/FM radio cassette with CD player	
Type	Reversed Elliot 'I' section beam	Air Conditioner	Fitted as standard. Ventilation is forced type by electric blower through 12 outlets.	
Capacity	3,600kg	Front air spoiler	Equipped	
• REAR AXLE		Rest bench	Fitted with mattress behind seats	
SH13-2		Power Windows	Equipped	
Type	Full-floating, single reduction, single speed with hypoid gears	Door Lock	Electric	
Capacity	7,000kg	Headlamp Adjustment	Electro-rheostat headlamp levelling adjustment	
Ratio	4.625:1 (Medium,Long) 4.333:1 (XLong)	• INSTRUMENTS		
• PROPELLER SHAFT		Meters and gauges		
LF0932		Speedometer	Fuel gauge	
Universal joints	Round bearing type	Odometer with 2 trip meters	Coolant Temperature Gauge	
Centre Bearing	1-piece (Medium,Long) 2-piece (XLong)	Tachometer	Air pressure gauge (Front & Rear)	
• BRAKES		Warning, pilot lamps and buzzers		
Type	Air over hydraulic, dual circuit with two leading shoes for front and rear acting on all wheels. Auto adjuster fitted	Oil pressure warning lamp & buzzer	Charging warning lamp	
Size	- Front 320 x 110mm - Rear 320 x 145mm	Air pressure warning lamp & buzzer	Beam indicator lamp	
Effective Lining Area	3,216 cm ²	Engine over-run warning buzzer	Turn signal indicator lamp	
Air Dryer	Equipped	Brake fluid level warning lamp & buzzer	Parking brake indicator lamp	
Air Compressor	Single Cylinder water-cooled type	Brake adjustment warning lamp & buzzer	Seat belt warning lamp and buzzer	
ABS	Equipped	Exhaust brake indicator lamp	Reverse warning buzzer	
Easy Start	Equipped	Injection pump electrical warning lamp	Hazard warning lamp	
Park Brake	Spring Brake acting on rear wheels	Coolant level warning lamp & buzzer		
Exhaust Brake	Electric-pneumatic operation with butterfly type valve	Switches		
• STEERING		Lighting switch	Exhaust brake switch	
Type	Collapsible telescopic and tilt steering column and wheel with locking device. Recirculating ball with hydraulic booster, integral type	Wiper and washer switch	Hazard lamp switch	
Gear Ratio	18.61:1	Directional indicator and dimmer switch		
• FRONT SUSPENSION		Others		
Type	Taper leaf springs with double acting shock absorbers	One-key starting-stopping	Horn button	
Size	1,300 x 70mm	Throttle control knob		
Leaves	18.5 mm x 1 + 19.8mm x 1 + 16.2mm x 1	• ELECTRICAL EQUIPMENT		
• REAR SUSPENSION		Type	24 volt, negative earth	
Type	Semi-elliptic main and auxiliary springs	Batteries	12 V x 2, series connection	
Main	- Size 1,300 x 70mm - Leaves 11mm x 8	Capacity:	65 Ah at 20-hour rate	
Auxiliary	- Size 900 x 70mm - Leaves 10mm x 8 + 9mm x 1	Alternator	24V, 50A with built in rectifier & voltage regulator	
• WHEEL & TYRE		Headlamps	Semi-sealed beam, halogen type with integrated Fog lamps	
Wheel type	6-stud disc wheel (JIS type)	Other lamps	Clearance lamps, License plate lamp, Reversing lamp, Stop/Tail lamps, Roof Marker lamps, Internal Dome lamps.	
Rim size	6.75 x 17.5 - offset 135mm	12 volt electrical source	Equipped	
Tyre size	9.5R17.5-129/127	• OPTIONAL EQUIPMENT		
Number of tyres	7 (including one spare tyre)	Engine Driven PTO		
Spare tyre carrier	Equipped			
Tool Kit	Includes wheel brace and hydraulic jack			