



RANGER-PRO 10 ACE

• RATINGS (kg)

4x2 Truck Chassis

	GVM	GCM
Ratings	16,000	32,000

DIMENSIONS (mm): All dimensions are to standard specification and unladen chassis

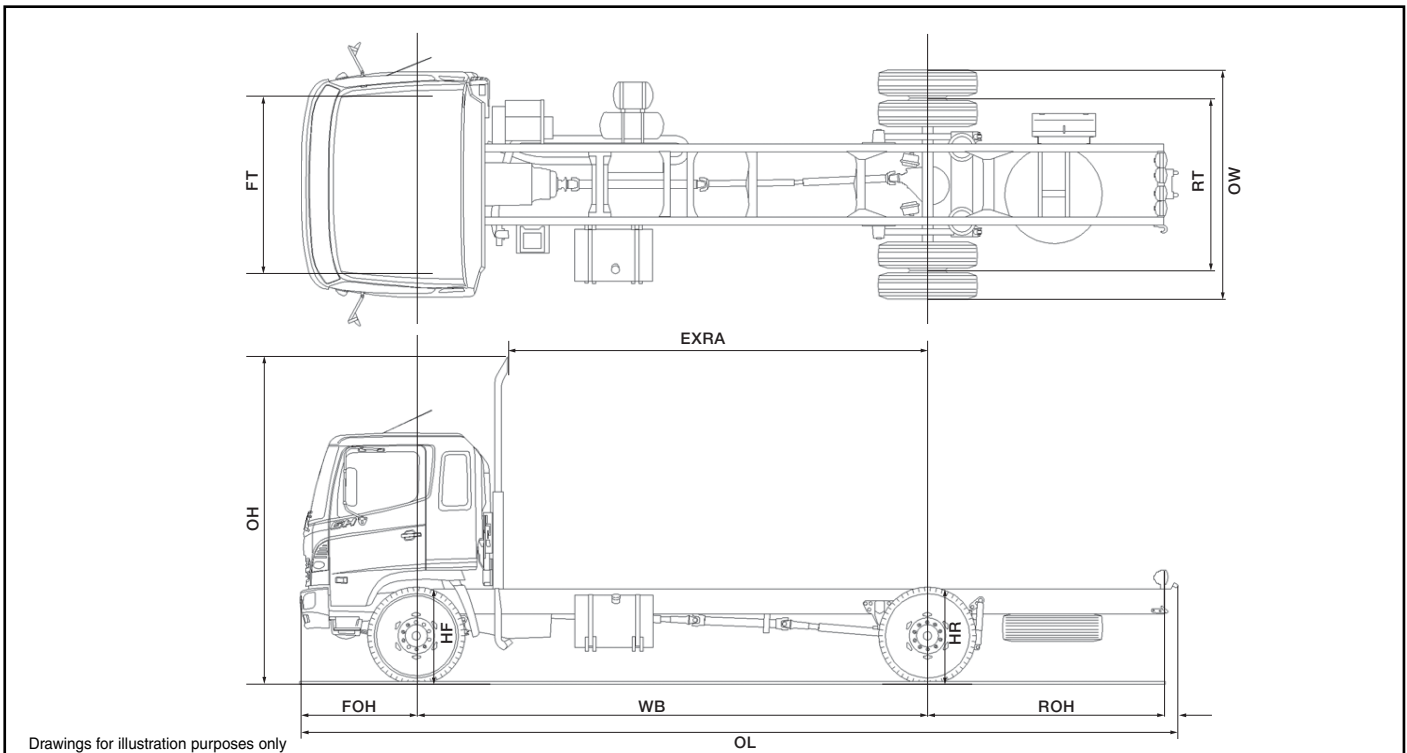
Model		Medium ACE	Xlong ACE	XXLong ACE
Model Ordering Code		GH1JJPQ	GH1JPPG	GH1JSPG
Wheelbase	WB	4,260	5,510	6,200
Overall Length	OL	7,570	9,460	10,550
Overall Width	OW		2,460	
Overall Height	OH		3,495	
Cab Height			2,685	
Exhaust to Rear Axle Centre	EXRA	3,325	4,575	5,265
Front Overhang	FOH		1,255	
Rear Overhang	ROH	1,910	2,550	2,950
Front Chassis Height	HF		1,000	
Rear Chassis Height	HR		1,020	
Front Track	FT		1,915	
Rear Track	RT		1,840	
Road clearance (at diff. Case)			235	
Turning Radius (kerb to kerb)		7,500	9,500	10,500
Turning Radius (Swept)		8,225	10,225	11,225

• **CHASSIS MASS (kg):** Chassis mass quoted is to standard specification with full tank of fuel but without spare tyre and tool kit

Chassis Mass (kg)	Total	4,695	4,830	5,150
	Front	2,795	2,905	3,110
	Rear	1,900	1,925	2,040

• **PERFORMANCE:** Calculations based on Engine speed 2,900 r/min at rated GVM and standard specifications

Max. speed km/h	100 (Speed Limited)
Gradeability (theoretical, tanθ)%	52.8



Important Notice Hino Trucks are distributed in Australia by Hino Motor Sales Australia Pty Ltd A.C.N. 064 989 724. Information contained in this brochure was correct at time of printing. Hino Motor Sales Australia Pty Ltd reserves the right to alter any details of the specifications and equipment without notice. Hino in so far as it is permitted by law to do so, shall not be liable in any way as a result of any reliance placed by any person on anything contained in this brochure. You should therefore check with your authorised Hino dealer at the time of ordering your motor vehicle to ensure that colour, specifications, equipment, design features and options are available for the vehicle you are ordering. Please note that some options may only be available in combination with others. Authorised Hino dealers will on request provide up to date information on all accessories, design features, prices and availability.

• ENGINE		HINO J08C-UK		• CHASSIS FRAME	
Max. output (JIS Gross)	191 kW at 2,500 rpm	Type	Parallel Chassis	Rear chassis width	870mm
Max. torque (JIS Gross)	745 Nm at 1,500 rpm	Size	270 x 90 x 8.0mm	Inner flitch	254 x 74 x 3.2mm (XXLong only)
Max engine speed	2,900 rpm	Tensile strength	540N/mm ² {55kgf/mm ² }	Hook	Equipped for front & rear
Type	Diesel, turbo charged & inter-cooled, 6 cylinder in-line with 4 valves per cylinder and overhead camshaft. Electronic Governor and speed limiter.	Tool Box	Mounted on chassis	• CAB	
	Combustion by Timed Injection-rate Control System (TICS) and employing Hino's Micro Mixing System (HMMS)	Type	EGIS safety cab. Forward Control, all steel construction with torsion bar tilt mechanism.	Seating capacity	Three
Bore and Stroke	114 x 130mm	Driver's seat	ISRI air suspension seat with automatic pressure setting according to driver's weight. Adjustable slide, height, recline, swab angle and head restraint. Urethane foam padding with fabric upholstery. Three point auto retracting lap sash belt with a height adjustable shoulder anchor.	Side passengers seat	Reclining high back urethane padded seat with head restraint and fabric upholstery. Three point auto retracting lap sash belt
Displacement	7,961cc	Centre passenger's seat	Urethane foam padded seat and backrest which folds flat into a snack bench with a storage console. Fabric upholstery. Two point lap seat belt	Sun Visor	Fitted for driver and passenger side
Compression Ratio	18.0:1	Sun Visor	Fitted for driver and passenger side	Windshield wipers	2-speed and intermittent control
Cooling Fan	Indirect type fitted with viscous coupling	Rear view mirrors	2 x West Coast type with spotter mirror on LHS	Over-head console	Fitted for driver and passenger side
• CLUTCH		Audio	AM/FM radio cassette. CD player for XLong and XXLong models	Air Conditioner	Fitted as standard. Ventilation is forced type by electric blower through 13 outlets.
Hino CS-380		Rest Bench	Fitted with mattress behind seats for Xlong and XXLong models	Power Windows	Equipped for XLong and XXLong models.
Type	Dry single plate with damper springs	Front air spoiler	Equipped	Door Lock	Electric for XLong and XXLong models.
Control	Hydraulic with air booster	Headlamp Adjustment	Electro-rheostat headlamp levelling adjustment	Rest Bench	Fitted with mattress behind seats for Xlong and XXLong models
Facing Material	Cerametallic	• INSTRUMENTS			
Facing outside diameter	380mm	Meters and gauges			
• TRANSMISSION		Speedometer			
Eaton FS-6109 Series II		Odometer with 2 trip meters			
Type	9 Forward & 1 Reverse speeds. Direct Drive with mechanical control. Synchromesh 1st-9th	Tachometer			
Gear Ratio	1st 12.637 6th 2.481	Warning, pilot lamps and buzzers			
	2nd 8.806 7th 1.845	Oil pressure warning lamp & buzzer			
	3rd 6.550 8th 1.343	Air pressure warning lamp & buzzer			
	4th 4.768 9th 1.000	Engine over-run warning buzzer			
	5th 3.458 Rev 13.210	Brake fluid level warning lamp & buzzer			
• FRONT AXLE		Brake adjustment warning lamp & buzzer			
MF671		Exhaust brake indicator lamp			
Type	Reversed Elliot 'I' section beam	Injection pump electrical warning lamp			
Capacity	6,500kg	Coolant level warning lamp & buzzer			
• REAR AXLE		Switches			
SH17-6		Lighting switch			
Type	Full-floating, single reduction, single speed with hypoid gears	Wiper and washer switch			
Capacity	10,500kg	Directional indicator and dimmer switch			
Ratio	4.625:1	Others			
• PROPELLER SHAFT		One-key starting-stopping			
MC1040		Throttle control knob			
Universal joints	Round bearing type	Electrical Equipment			
Centre Bearing	1-piece (Medium) 2-piece (XLong,XXLong)	Type			
• BRAKES		Batteries			
Type	Full air, dual circuit, "S" cam system with leading & trailing shoes for front and rear acting on all wheels	Capacity:			
Size	- Front 406.4 x 127m - Rear 406.4 x 203mm	Alternator			
Effective Lining Area	4,480 cm ²	Headlamps			
Air Dryer	Equipped	Other lamps			
Air Compressor	Dual Cylinder water-cooled type	12 volt electrical source			
Park Brake	Spring Brake acting on rear wheels	OPTIONAL EQUIPMENT			
Exhaust Brake	Electric-pneumatic operation with butterfly type valve	Engine Driven PTO			
• STEERING		ABS Braking System (available by irrevocable order only)			
Type	Collapsible telescopic and tilt steering column and wheel with locking device. Recirculating ball with hydraulic booster, integral type	17,000kg GVM available on application			
Gear Ratio	20.2:1				
• FRONT SUSPENSION					
Type	Taper leaf springs with double acting shock absorbers				
Size	1,470 x 80mm				
Leaves	19.5 mm x 4				
• REAR SUSPENSION					
HAS230					
Type	Two air bags with double acting shock absorbers and mechanical height control (dump valve)				
• WHEEL & TYRE					
Wheel type	10-stud disc wheel (ISO type)				
Rim size	8.25 x 22.5 - offset 165mm				
Tyre size	295/80R22.5-152/148				
Number of tyres	7 (including one spare tyre)				
Spare tyre carrier	Equipped				
Tool Kit	Includes wheel brace and hydraulic jack				
• FUEL TANK					
Capacity	200 litres (Medium,XLong) 400 litres (XXLong)				
Fuel pre-filter & sedimentor	Equipped with water separator				