



RANGER-PRO 14

LONG AUTO ACE

● RATINGS (kg)

6 x 4 Truck Chassis

	GVM	GCM
Ratings	26,000	-

● DIMENSIONS (mm) : All dimensions are to standard specification and unladen chassis

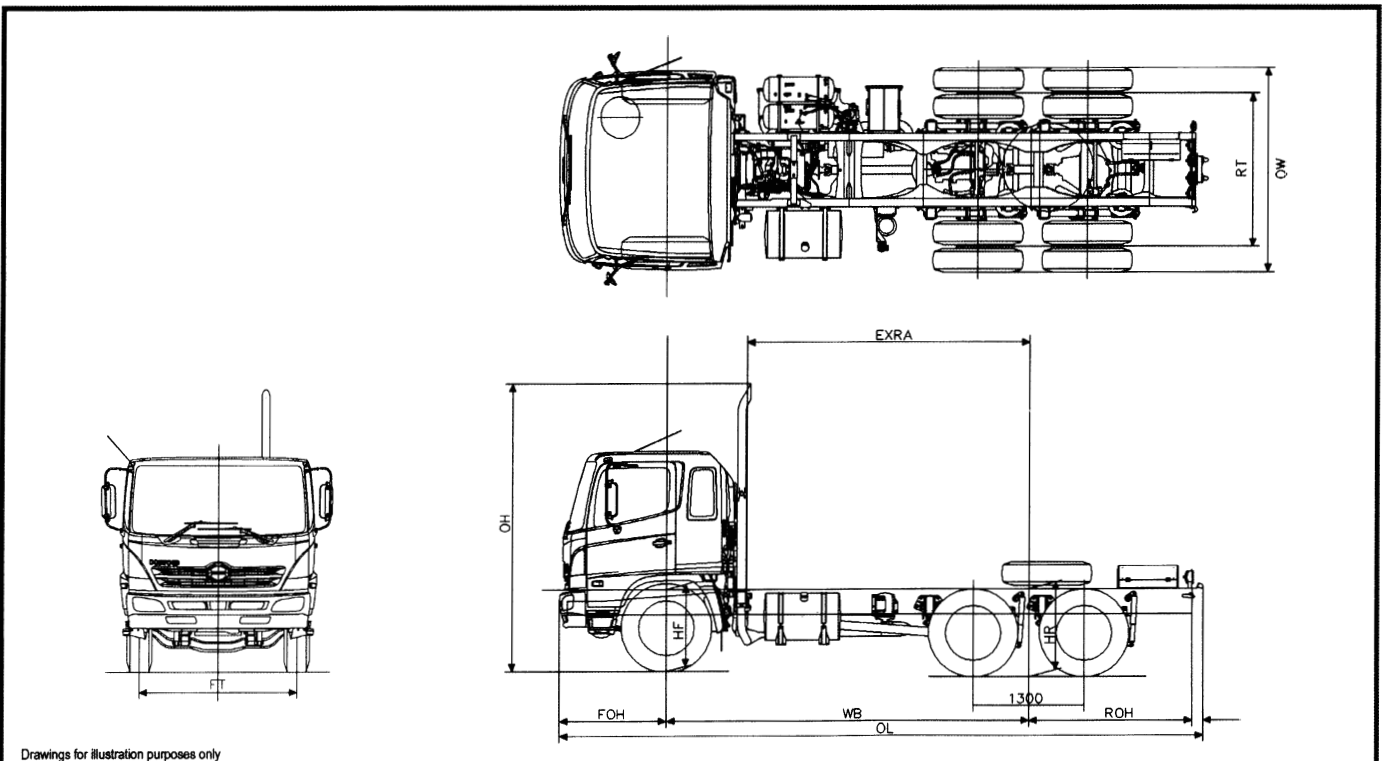
Model		Long AUTO ACE
Model Ordering Code		FM1JRPG
Wheelbase (Centre Rear axles)	WB	5,250
Overall Length	OL	9,095
Overall Width	OW	2,445
Overall Height	OH	3,475
Cab Height		2,665
Exhaust to Centre Rear Axles	EXRA	4,315
Front Overhang	FOH	1,255
Rear Overhang	ROH	2,445
Front Chassis Height	HF	1,010
Rear Chassis Height	HR	1,030
Front Track	FT	1,915
Rear Track	RT	1,840
Road clearance (at diff. case)		195
Turning Radius (kerb to kerb)		10,200
Turning Radius (Swept)		10,925

● CHASSIS MASS (kg) : Chassis mass quoted is to standard specifications with full tank of fuel but without spare tyre and tool kit

Chassis Mass (kg)	Total	6,770
	Front	3,170
	Rear	3,600

● PERFORMANCE : Calculations based on Engine speed 2,900 r/min at rated GVM and standard specifications

Max. speed km/h (Limited)	100
Gradeability (theoretical, tanθ) %	39.7



Drawings for illustration purposes only

Important Notice

Hino Trucks are distributed in Australia by Hino Motor Sales Australia Pty Ltd A.C.N. 064 989 724. Information contained in this brochure was correct at time of printing. Hino Motor Sales Australia Pty Ltd reserves the right to alter any details of the specifications and equipment without notice. Hino, in so far, as it is permitted by law to do so, shall not be liable in any way as a result of any reliance placed by any person on anything contained in this brochure. You should therefore check with your authorised Hino dealer at the time of ordering your motor vehicle to ensure that colour, specifications, equipment, design features and options are available for the vehicle you are ordering. Please note that some options may only be available in combination with others. Authorised Hino Dealers will on request provide up to date information on all accessories, design features, prices and availability.

● ENGINE		● CAB	
Max. output (JIS Gross)	191 kW at 2,500 rpm	Type	EGIS safety cab. Forward Control, all steel construction with torsion bar tilt mechanism
Max. torque (JIS Gross)	745 Nm at 1,500 rpm	Seating capacity	Two
Max. engine speed	2,900 rpm	Driver's seat	ISRI air suspension with an automatic pressure setting according to drivers weight. Adjustable slide,height,recline, swab angle and head restraint. Urethane foam padding with fabric upholstery. Three point auto retracting lap sash belt with a height adjustable shoulder anchor
Type	Diesel, turbo charged & intercooled, 6 cylinder in-line with 4 valves per cylinder and overhead camshaft. Electronic Governor and speed limiter. Combustion by Timed Injection-rate Control System (TICS) and employing Hino's Micro Mixing System (HMMS)	Side passenger's seat	ISRI air suspension with an automatic pressure setting according to drivers weight. Adjustable slide,height,recline, swab angle and head restraint.Urethane foam padding with fabric upholstery.Three point auto retracting lap sash belt
Bore and stroke	114 x 130 mm	Centre console	Equipped
Displacement	7,961cc	Sun Visor	Fitted for driver and passenger side
Compression ratio	18.0:1	Windshield wipers	2-speed and intermittent control
Cooling Fan	Indirect type fitted with viscous coupling	Rear view Mirrors	2 x West Coast type with spotter mirror on LHS
● TRANSMISSION		Over-head console	Fitted for driver and passenger side
Allison MD3560P		Audio	AM/FM radio with Tape Player
Type	5 Forward & 1 Reverse speeds. Over Drive Automatic with electrical control	Air conditioner	Fitted as standard. Ventilation is forced type by electric blower through 13 outlets
Gear Ratio	1st 4.593 4th 1.000 2nd 2.257 5th 0.749 3rd 1.535 Rev. 4.999	Front air spoiler	Equipped
● FRONT AXLE		Headlamp Adjustment	Electro-rheostat headlamp levelling adjustment
MF67 I		● INSTRUMENTS	
Type	Reversed Elliot 'I' section Beam	Meters and gauges	
Capacity	6,500kg	Speedometer	Fuel gauge
● REAR AXLE		Odometer with 2 trip meters	Coolant temperature gauge
THD17-3 & SH17-6		Tachometer	Air pressure gauge (Front & Rear)
Type	Tandem axle, dual drive with inter axle differential lock, Full-floating, single reduction, single speed with hypoid gears	Warning, pilot lamps and buzzers	
Capacity	20,000kg	Oil pressure warning lamp & buzzer	Charging warning lamp
Ratio	6.428:1	Air pressure warning lamp and buzzer	Beam indicator lamp
● PROPELLER SHAFT		Engine over-run warning buzzer	Turn signal indicator lamp
HD1150		Brake fluid level warning lamp & buzzer	Parking brake indicator lamp
Universal joints	Round bearing type	Brake adjustment warning lamp & buzzer	Seat belt warning lamp and buzzer
Center bearing	1-piece	Exhaust brake indicator lamp	Reverse warning buzzer
● BRAKES		Injection pump electrical warning lamp	Hazard warning lamp
Type	Full air, dual circuit, "S" cam system with leading & trailing shoes for front and rear acting on all wheels	Coolant level warning lamp & buzzer	
Size - Front	406.4 x 152mm	Switches	
- Rear	406.4 x 216mm	Lighting switch	Fog lamp switch
Effective Lining area	7,884 cm ²	Wiper and washer switch	Exhaust brake switch
Air Dryer	Equipped	Directional indicator and dimmer switch	Hazard lamp switch
Air Compressor	Dual Cylinders water cooled type	Others	
Park Brake	Spring Brake acting on 1st and 2nd axles	One-key starting-stopping	Horn button
Exhaust Brake	Electric-pneumatic operation with butterfly type valve	Throttle control knob	Emergency stop control
● STEERING		● ELECTRICAL EQUIPMENT	
Type	Collapsible Telescopic and tilt steering column and wheel with locking device. Recirculating ball with hydraulic booster integral type	Type	24 volt, negative earth
Gear Ratio	20.2:1	Batteries	12 V x 2, series-connection Capacity: 120 Ah at 20-hour rate
● FRONT SUSPENSION		Alternator	24 V, 80 A with built-in rectifier & voltage regulator
Type	Taper leaf springs with double acting shock absorbers	Headlamps	Semi-sealed beam, halogen type with integrated Fog lamps
Size	1,470 x 80mm	Other lamps	Clearance lamps, License plate lamp, Reversing lamp, Stop/Tail lamps, Roof Marker lamps, Internal Dome lamps (2)
Leaves	19.5 mm x 4	12 volt electrical source	Equipped
● REAR SUSPENSION		● OPTIONAL EQUIPMENT	
HAS400		Engine Driven Power Take Off	
Type	Four air bags with shock absorbers and mechanical height control (dump valve)	ABS Braking System (available by irrevocable order only)	
● WHEEL AND TYRE			
Wheel type	10-stud disc wheel (ISO type)		
Rim size	8.25 x 22.5 - offset 165 mm		
Tyre size	275/80R22.5-149/146		
Number of tyres	11 (including one spare tyre)		
Spare tyre carrier	Equipped		
Tool Kit	Includes wheel brace and hydraulic jack		
● FUEL TANK			
Capacity	200 L		
Fuel pre-filter and sedimentor	Equipped, with Water Separator		
● CHASSIS FRAME			
Type	Parallel Chassis		
Rear chassis width	870 mm		
Size	298 x 90 x 8.0 mm		
Reinforcement	284 x 77 x 3.2 mm		
Tensile strength	540N/mm ² {55 kaf/mm ² }		
Hook	Equipped for front & rear		
Tool Box	Mounted on chassis		