



# RANGER-PRO 6 ACE

• RATINGS (kg)

4x2 Truck Chassis

	GVM	GCM
Ratings	10,400	16,000

**DIMENSIONS (mm): All dimensions are to standard specification and unladen chassis**

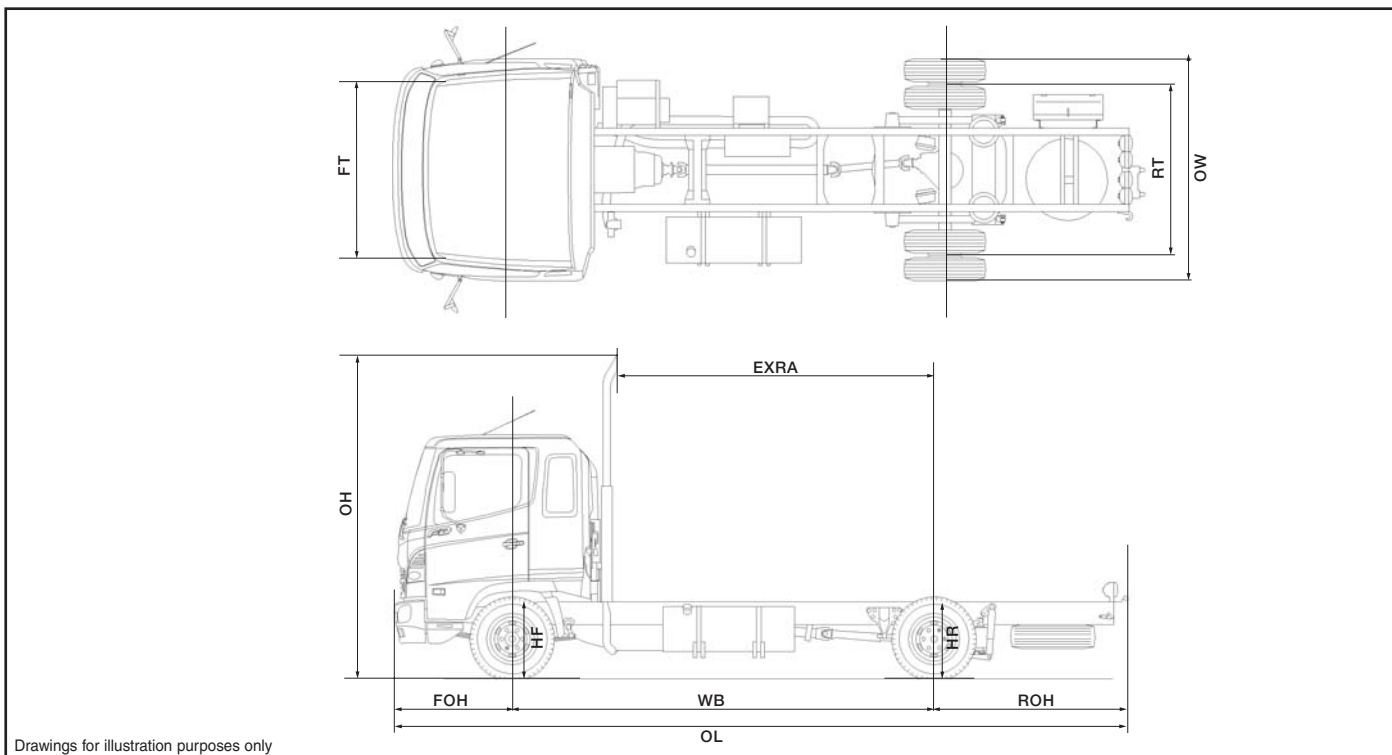
Model		Medium ACE	Long ACE	XLong ACE
Model Ordering Code		FD1JJPG	FD1JLPG	FD1JPPG
Wheelbase	WB	4,250	4,850	5,500
Overall Length	OL	7,390	8,240	9,250
Overall Width	OW		2,175	
Overall Height	OH		3,260	
Cab Height			2,450	
Exhaust to Rear Axle Centre	EXRA	3,245	3,845	4,495
Front Overhang	FOH		1,185	
Rear Overhang	ROH	1,810	2,060	2,420
Front Chassis Height	HF		775	
Rear Chassis Height	HR		805	
Front Track	FT		1,770	
Rear Track	RT		1,660	
Road clearance (at diff. Case)			215	
Turning Radius (kerb to kerb)		6,700	7,500	8,500
Turning Radius (Swept)		7,400	8,200	9,200

• **CHASSIS MASS (kg):** Chassis mass quoted is to standard specification with full tank of fuel but without spare tyre and tool kit

Chassis Mass (kg)	Total	3,380	3,475	3,530
	Front	2,200	2,260	2,300
	Rear	1,180	1,215	1,230

• **PERFORMANCE:** Calculations based on Engine speed 2,900 r/min at rated GVM and standard specifications

Max. theoretical speed km/h	130
Gradeability (theoretical, tanθ)%	53.1



Drawings for illustration purposes only

**Important Notice** Hino Trucks are distributed in Australia by Hino Motor Sales Australia Pty Ltd A.C.N. 064 989 724. Information contained in this brochure was correct at time of printing. Hino Motor Sales Australia Pty Ltd reserves the right to alter any details of the specifications and equipment without notice. Hino in so far as it is permitted by law to do so, shall not be liable in any way as a result of any reliance placed by any person on anything contained in this brochure. You should therefore check with your authorised Hino dealer at the time of ordering your motor vehicle to ensure that colour, specifications, equipment, design features and options are available for the vehicle you are ordering. Please note that some options may only be available in combination with others. Authorised Hino dealers will on request provide up to date information on all accessories, design features, prices and availability.

<b>• ENGINE</b>		<b>• CHASSIS FRAME</b>		
Max. output (JIS Gross)	HINO J08C-UJ 173 kW at 2,500 rpm	Type	Parallel Chassis	
Max. torque (JIS Gross)	706 Nm at 1,500 rpm	Rear chassis width	820mm	
Max engine speed	2,900 rpm	Size	228.6 x 73 x 5.3mm (Medium) 231.6 x 73 x 6.8mm (Long,Xlong)	
Type	Diesel, turbo charged & inter-cooled, 6 cylinder in-line with 4 valves per cylinder and overhead camshaft. Mechanical Governor. Combustion by Timed Injection-rate Control System (TICS) and employing Hino's Micro Mixing System (HMMS)	Tensile strength	540N/mm <sup>2</sup> {55kgf/mm <sup>2</sup> }	
Bore and Stroke	114 x 130mm	Hook	Equipped for front & rear	
Displacement	7,961cc	Tool Box	Mounted on chassis	
Compression Ratio	18.0:1	<b>• CAB</b>		
Cooling Fan	Indirect type fitted with viscous coupling	Type	EGIS safety cab. Forward Control, all steel construction with torsion bar tilt mechanism.	
<b>• CLUTCH</b>		Seating capacity	Three	
Hino CS-350		Driver's seat	ISRI air suspension seat with lumbar support and an automatic pressure setting according to driver's weight. Adjustable slide, height, recline, swab angle and head restraint. Urethane foam padding with fabric upholstery. Three point auto retracting lap sash belt with a height adjustable shoulder anchor	
Type	Dry single plate with damper springs	Side passengers seat	Reclining high back urethane padded seat with head restraint and fabric upholstery. Three point auto retracting lap sash belt	
Control	Hydraulic with air booster	Centre passenger's seat	Urethane foam padded seat and backrest which folds flat into a snack bench with a storage console. Fabric upholstery. Two point lap seat belt	
Facing Material	Cerametallic	Sun Visor	Fitted for driver and passenger side	
Facing outside diameter	350mm	Windshield wipers	2-speed and intermittent control	
<b>• TRANSMISSION</b>		Rear view mirrors	2 x West Coast type with spotter mirror on LHS	
LJ06S		Over-head console	Fitted for driver and passenger side	
Type	6 Forward & 1 Reverse speeds. Over Drive with mechanical control and power assisted shift. Synchromesh 2nd-6th	Audio	AM/FM radio cassette with CD player	
Gear Ratio	1st	6.893	5th	1.000
	2nd	4.274	6th	0.770
	3rd	2.607	Rev.	6.453
	4th	1.564		
<b>• FRONT AXLE</b>		Air Conditioner	Fitted as standard. Ventilation is forced type by electric blower through 12 outlets.	
LF366		Front air spoiler	Equipped	
Type	Reversed Elliot 'I' section beam	Rest bench	Fitted with mattress behind seats	
Capacity	3,600kg	Power Windows	Equipped	
<b>• REAR AXLE</b>		Door Lock	Electric	
SH13-2		Headlamp Adjustment	Electro-rheostat headlamp levelling adjustment	
Type	Full-floating, single reduction, single speed with hypoid gears	<b>• INSTRUMENTS</b>		
Capacity	7,000kg	<b>Meters and gauges</b>		
Ratio	4.333:1	Speedometer	Fuel gauge	
<b>• PROPELLER SHAFT</b>		Odometer with 2 trip meters	Coolant Temperature Gauge	
LF0932		Tachometer	Air pressure gauge (Front & Rear)	
Universal joints	Round bearing type	<b>Warning, pilot lamps and buzzers</b>		
Centre Bearing	1-piece (Medium,Long) 2-piece (XLong)	Oil pressure warning lamp & buzzer	Charging warning lamp	
<b>• BRAKES</b>		Air pressure warning lamp & buzzer	Beam indicator lamp	
Type	Air over hydraulic, dual circuit with two leading shoes for front and rear acting on all wheels. Auto adjuster fitted	Engine over-run warning buzzer	Turn signal indicator lamp	
Size	- Front - Rear	Brake fluid level warning lamp & buzzer	Parking brake indicator lamp	
Effective Lining Area	3,216 cm <sup>2</sup>	Brake adjustment warning lamp & buzzer	Seat belt warning lamp & buzzer	
Air Dryer	Equipped	Exhaust brake indicator lamp	Reverse warning buzzer	
Air Compressor	Single Cylinder water-cooled type	Injection pump electrical warning lamp	Hazard warning lamp	
ABS	Equipped	Coolant level warning lamp & buzzer		
Easy Start	Equipped	Switches		
Park Brake	Spring Brake acting on rear wheels	Lighting switch	Exhaust brake switch	
Exhaust Brake	Electric-pneumatic operation with butterfly type valve	Wiper and washer switch	Hazard lamp switch	
<b>• STEERING</b>		Directional indicator and dimmer switch		
Type	Collapsible telescopic and tilt steering column and wheel with locking device. Recirculating ball with hydraulic booster, integral type	<b>Others</b>		
Gear Ratio	18.61:1	One-key starting-stopping	Horn button	
<b>• FRONT SUSPENSION</b>		Throttle control knob		
Type	Taper leaf springs with double acting shock absorbers	<b>• ELECTRICAL EQUIPMENT</b>		
Size	1,300 x 70mm	Type	24 volt, negative earth	
Leaves	18.5 mm x 1 + 19.8mm x 1 + 16.2mm x 1	Batteries	12 V x 2, series connection	
<b>• REAR SUSPENSION</b>		Capacity:	65 Ah at 20-hour rate	
HAS200 Lo-Pro		Alternator	24V, 50A with built in rectifier & voltage regulator	
Type	Two air bags with double acting shock absorbers	Headlamps	Semi-sealed beam, halogen type with integrated Fog lamps	
<b>• WHEEL &amp; TYRE</b>		Other lamps	Clearance lamps, License plate lamp, Reversing lamp, Stop/Tail lamps, Roof Marker lamps, Internal Dome lamps.	
Wheel type	6-stud disc wheel (JIS type)	12 volt electrical source	Equipped	
Rim size	6.75 x 17.5 - offset 135mm	<b>• OPTIONAL EQUIPMENT</b>		
Tyre size	9.5R17.5-129/127	Engine Driven PTO		
Number of tyres	7 (including one spare tyre)			
Spare tyre carrier	Equipped			
Tool Kit	Includes wheel brace and hydraulic jack			
<b>• FUEL TANK</b>				
Capacity	200 litres			
Fuel pre-filter & sedimenter	Equipped with water separator			