



RANGER-PRO 9 CREW

• RATINGS (kg)

4 x 2 Truck Chassis

	GVM	GCM
Ratings	15,100	24,000

• DIMENSIONS (mm) : All dimensions are to standard specification and unladen chassis

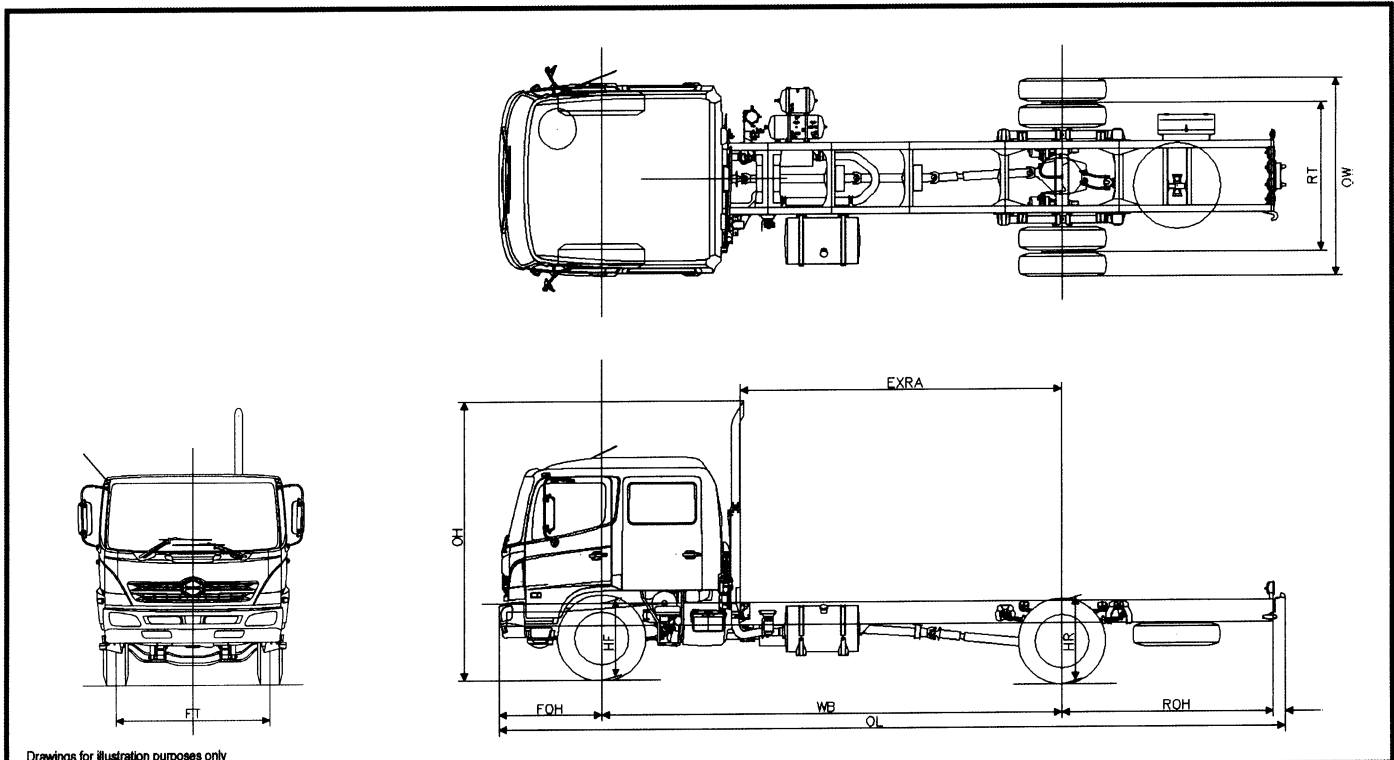
Model		Crew
Model Ordering Code		FG1JPPB Crew
Wheelbase	WB	5,530
Overall Length	OL	9,460
Overall Width	OW	2,450
Overall Height	OH	3,405
Cab Height		2,715
Exhaust to Rear Axle Centre	EXRA	3,860
Front Overhang	FOH	1,235
Rear Overhang	ROH	2,550
Front Chassis Height	HF	965
Rear Chassis Height	HR	1,020
Front Track	FT	1,915
Rear Track	RT	1,840
Road clearance (at diff. case)		190
Turning Radius (kerb to kerb)		9,500
Turning Radius (Swept)		10,225

• CHASSIS MASS (kg) : Chassis mass quoted is to standard specifications with full tank of fuel but without spare tyre and tool kit

Chassis Mass (kg)	Total	5,225
	Front	3,090
	Rear	2,135

• PERFORMANCE : Calculations based on Engine speed 2,900 r/min at rated GVM and standard specifications

Max. speed km/h (Limited)	100
Gradeability (theoretical, tanθ) %	37.9



Drawings for illustration purposes only

Important Notice

Hino Trucks are distributed in Australia by Hino Motor Sales Australia Pty Ltd A.C.N. 064 989 724. Information contained in this brochure was correct at time of printing. Hino Motor Sales Australia Pty Ltd reserves the right to alter any details or the specifications and equipment without notice. Hino, in so far, as it is permitted by law to do so, shall not be liable in any way as a result of any reliance placed by any person on anything contained in this brochure. You should therefore check with your authorised Hino dealer at the time of ordering your motor vehicle to ensure that colour, specifications, equipment, design features and options are available for the vehicle you are ordering. Please note that some options may only be available in combination with others. Authorised Hino Dealers will on request provide up to date information on all accessories, design features, prices and availability.

● ENGINE		● CHASSIS FRAME	
Max. output (JIS Gross)	191 kW at 2,500 rpm	Type	Parallel Chassis
Max. torque (JIS Gross)	745 Nm at 1,500 rpm	Rear chassis width	870 mm
Max. engine speed	2,900 rpm	Size	270 x 85 x 8.0 mm
Type	Diesel, turbo charged & intercooled, 6 cylinder in-line with 4 valves per cylinder and overhead camshaft. Electronic Governor and speed limiter. Combustion by Timed Injection-rate Control System (TICS) and employing Hino's Micro Mixing System (HMMS)	Tensile strength	540N/mm ² {55 kgf/mm ² }
Bore and stroke	114 x 130 mm	Hook	Equipped for front & rear
Displacement	7,961cc	Tool Box	Mounted on chassis
Compression ratio	18.0:1	● CAB	
Cooling Fan	Indirect type fitted with viscous coupling	Type	EGIS safety cab. Forward Control, all steel construction with electric oil jack tilt mechanism
● CLUTCH		Seating capacity	Seven
Hino CS-380		Driver's seat	ISRI air suspension with an automatic pressure setting according to drivers weight. Adjustable slide,height, recline, swab angle and head restraint. Urethane foam padding with fabric upholstery. Three point auto retracting lap sash belt with a height adjustable shoulder anchor
Type	Dry single plate with damper springs	Side passenger's seat	Reclining high back urethane padded seat with head restraint and fabric upholstery. 3 point auto retracting lap sash belt
Control	Hydraulic with air booster	Centre passenger's seat	Urethane foam padded seat and backrest which folds flat into a snack bench with a storage console, fabric upholstery. Two point lap seat belt
Facing material	Cerametallic	Rear seat	Bench type seat with vinyl cover. Three point lap sash seat belt for outer passenger seats. Two point lap seat belt for two inner passengers seats
Facing outside diameter	380 mm	Sun Visor	Fitted for driver and passenger side
● TRANSMISSION		Windshield wipers	2-speed and intermittent control
MF06S		Rear view Mirrors	2 x West Coast type with spotter mirror on LHS
Type	6 Forward & 1 Reverse speeds. Direct Drive with mechanical control and power shift. Synchronesh 2nd-6th	Over-head console	Fitted for driver and passenger side
Gear Ratio	1st 8.189 5th 1.341 2nd 5.086 6th 1.000 3rd 3.076 Rev. 7.142 4th 1.936	Audio	AM/FM radio with Tape Player.
● FRONT AXLE		Air conditioner	Fitted as standard. Ventilation is forced type by electric blower
MF67 I		Door Lock	Electric for front and back
Type	Reversed Elliot 'I' section Beam	Front air spoiler	Equipped
Capacity	6,500kg	Headlamp Adjustment	Electro-rheostat headlamp levelling adjustment
● REAR AXLE		● INSTRUMENTS	
SH16-1		Meters and gauges	
Type	Full-floating, single reduction, single speed with hypoid gears	Speedometer	Fuel gauge
Capacity	10,000kg	Odometer with 2 trip meters	Coolant temperature gauge
Ratio	4.875:1	Tachometer	Air pressure gauge (Front & Rear)
● PROPELLER SHAFT		Warning, pilot lamps and buzzers	
MC1040		Oil pressure warning lamp & buzzer	Charging warning lamp
Universal joints	Round bearing type	Air pressure warning lamp and buzzer	Beam indicator lamp
Center bearing	2-piece	Engine over-run warning buzzer	Turn signal indicator lamp
● BRAKES		Brake fluid level warning lamp & buzzer	Parking brake indicator lamp
Type	Full air, dual circuit, "S" cam system with leading & trailing shoes for front and rear acting on all wheels	Brake adjustment warning lamp & buzzer	Seat belt warning lamp and buzzer
Size - Front	406.4 x 127mm	Exhaust brake indicator lamp	Reverse warning buzzer
- Rear	406.4 x 203mm	Injection pump electrical warning lamp	Hazard warning lamp
Effective Lining area	4,480 cm ²	Coolant level warning lamp & buzzer	
Air Dryer	Equipped	Switches	
Air Compressor	Dual Cylinders water cooled type	Lighting switch	Fog lamp switch
Park Brake	Spring Brake acting on rear wheels	Wiper and washer switch	Exhaust brake switch
Exhaust Brake	Electric-pneumatic operation with butterfly type valve	Directional indicator and dimmer switch	Hazard lamp switch
● STEERING		Others	
Type	Collapsible Telescopic and tilt steering column and wheel with locking device. Recirculating ball with hydraulic booster integral type	One-key starting-stopping	Horn button
Gear Ratio	20.2:1	Throttle control knob	Emergency stop control
● FRONT SUSPENSION		● ELECTRICAL EQUIPMENT	
Type	Taper leaf springs with double acting shock absorbers	Type	24 volt, negative earth
Size	1,470 x 80mm	Batteries	12 V x 2, series-connection Capacity: 65 Ah at 20-hour rate
Leaves	21 mm x 3	Alternator	24 V, 50 A with built-in rectifier & voltage regulator
● REAR SUSPENSION		Headlamps	Semi-sealed beam, halogen type with integrated Fog lamps
Type	Semi-elliptic main and auxiliary leaf springs	Other lamps	Clearance lamps, License plate lamp, Reversing lamp, Stop/Tail lamps, Roof Marker lamps, Internal Dome lamps (3)
Main - Size	1,400 x 90mm	12 volt electrical source	Equipped
- Leaves	12 mm x 12	● OPTIONAL EQUIPMENT	
Auxiliary - Size	980 x 90mm	ABS Braking System (available by irrevocable order only)	
- Leaves	11mm x 3 + 12mm x 5		
● WHEEL AND TYRE			
Wheel type	10-stud disc wheel (ISO type)		
Rim size	8.25 x 22.5 - offset 165 mm		
Tyre size	275/70R22.5-148/145		
Number of tyres	7 (including one spare tyre)		
Spare tyre carrier	Equipped		
Tool Kit	Includes wheel brace and hydraulic jack		
● FUEL TANK			
Capacity	200 L		
Fuel pre-filter and sedimeter	Equipped, with Water Separator		