



RANGER-PRO 9

SHORT AUTO

● RATINGS (kg)

4 x 2 Truck Chassis

	GVM	GCM
Ratings	15,000	-

● DIMENSIONS (mm) : All dimensions are to standard specification and unladen chassis

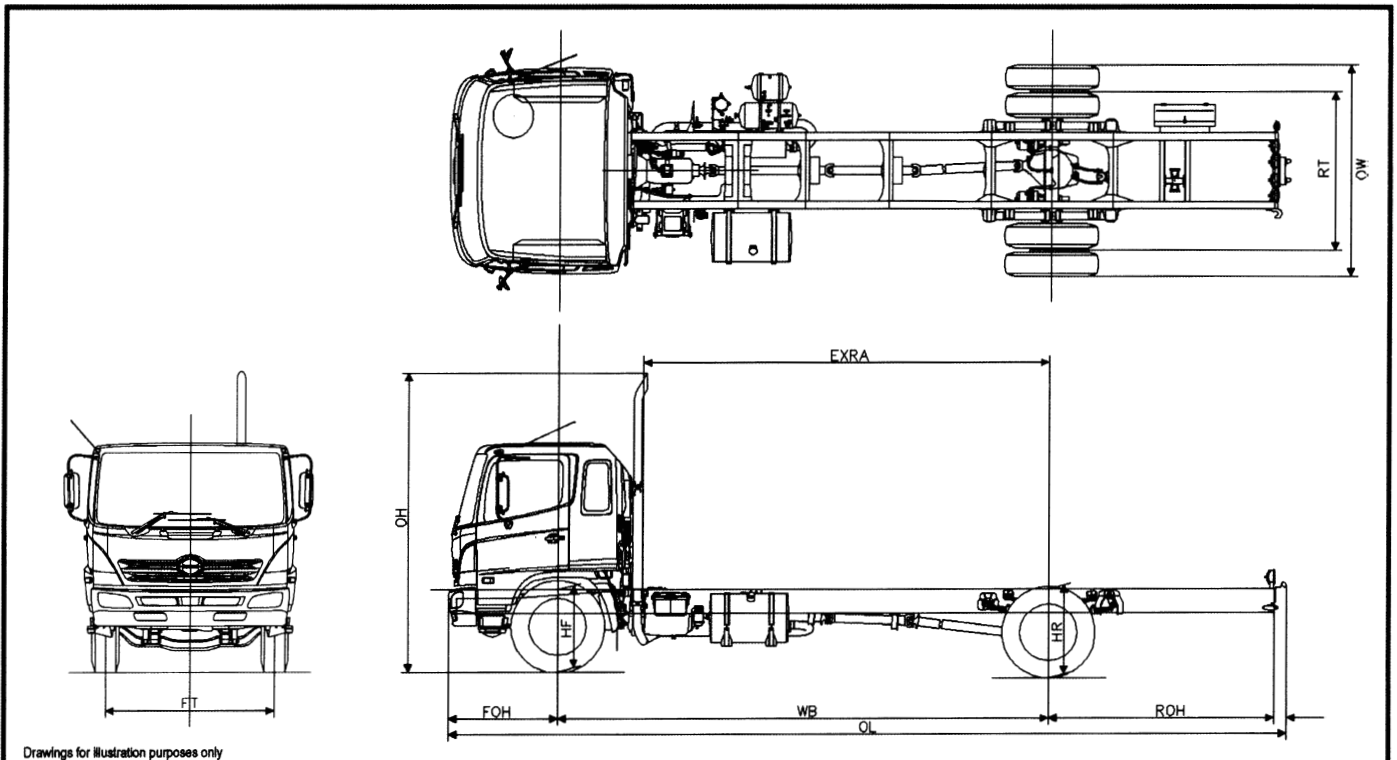
Model	Short Auto	
Model Ordering Code	FG1JGPB Auto	
Wheelbase	WB	3,780
Overall Length	OL	6,445
Overall Width	OW	2,450
Overall Height	OH	3,460
Cab Height		2,650
Exhaust to Rear Axle Centre	EXRA	2,825
Front Overhang	FOH	1,235
Rear Overhang	ROH	1,285
Front Chassis Height	HF	965
Rear Chassis Height	HR	1,025
Front Track	FT	1,915
Rear Track	RT	1,840
Road clearance (at diff. case)		235
Turning Radius (kerb to kerb)		6,800
Turning Radius (Swept)		7,525

● CHASSIS MASS (kg) : Chassis mass quoted is to standard specifications with full tank of fuel but without spare tyre and tool kit

Chassis Mass (kg)	Total	4,860
	Front	2,845
	Rear	2,015

● PERFORMANCE : Calculations based on Engine speed 2,900 r/min at rated GVM and standard specifications

Max. speed km/h (Limited)	100
Gradeability (theoretical, tanθ) %	53.4



Drawings for illustration purposes only

Important Notice Hino Trucks are distributed in Australia by Hino Motor Sales Australia Pty Ltd A.C.N. 064 989 724. Information contained in this brochure was correct at time of printing. Hino Motor Sales Australia Pty Ltd reserves the right to alter any details of the specifications and equipment without notice. Hino, in so far, as it is permitted by law to do so, shall not be liable in any way as a result of any reliance placed by any person on anything contained in this brochure. You should therefore check with your authorised Hino dealer at the time of ordering your motor vehicle to ensure that colour, specifications, equipment, design features and options are available for the vehicle you are ordering. Please note that some options may only be available in combination with others. Authorised Hino Dealers will on request provide up to date information on all accessories, design features, prices and availability.

● ENGINE		HINO J08C-UK		● CHASSIS FRAME	
Max. output (JIS Gross)	191 kW at 2,500 rpm	Type	Parallel Chassis	Rear chassis width	870 mm
Max. torque (JIS Gross)	745 Nm at 1,500 rpm	Size	269x 85 x 7.5 mm	Tensile strength	540N/mm ² (55 kgf/mm ²)
Max. engine speed	2,900 rpm	Hook	Equipped for front & rear		
Type	Diesel, turbo charged & intercooled, 6 cylinder in-line with 4 valves per cylinder and overhead camshaft. Electronic Governor and speed limiter. Combustion by Timed Injection-rate Control System (TICS) and employing Hino's Micro Mixing System (HMMS)	● CAB			
Bore and stroke	114 x 130 mm	Type	EGIS safety cab. Forward Control, all steel construction with torsion bar tilt mechanism		
Displacement	7,961cc	Seating capacity	Two		
Compression ratio	18.0:1	Driver's seat	ISRI air suspension with an automatic pressure setting according to drivers weight. Adjustable slide,height,recline, swab angle and head restraint. Urethane foam padding with fabric upholstery. Three point auto retracting lap sash belt with a height adjustable shoulder anchor		
Cooling Fan	Indirect type fitted with viscous coupling	Side passenger's seat	ISRI air suspension with an automatic pressure setting according to drivers weight. Adjustable slide,height,recline, swab angle and head restraint.Urethane foam padding with fabric upholstery.Three point auto retracting lap sash belt		
● TRANSMISSION		● INSTRUMENTS			
Allison MD3060P		Meters and gauges			
Type	5 Forward & 1 Reverse speeds. Over Drive Automatic with electrical control	Speedometer	Fuel gauge		
Gear Ratio	1st 3.487 4th 1.000 2nd 1.864 5th 0.750 3rd 1.409 Rev. 5.027	Odometer with 2 trip meters	Coolant temperature gauge		
● FRONT AXLE		Tachometer	Air pressure gauge (Front & Rear)		
MF67 I		Warning, pilot lamps and buzzers			
Type	Reversed Elliot 'I' section Beam	Oil pressure warning lamp & buzzer	Charging warning lamp		
Capacity	6,500kg	Air pressure warning lamp and buzzer	Beam indicator lamp		
● REAR AXLE		Engine over-run warning buzzer	Turn signal indicator lamp		
SH16-1		Brake fluid level warning lamp & buzzer	Parking brake indicator lamp		
Type	Full-floating, single reduction, single speed with hypoid gears	Brake adjustment warning lamp & buzzer	Seat belt warning lamp and buzzer		
Capacity	10,000kg	Exhaust brake indicator lamp	Reverse warning buzzer		
Ratio	6.428:1	Injection pump electrical warning lamp	Hazard warning lamp		
● PROPELLER SHAFT		Coolant level warning lamp & buzzer			
MC1040		Switches			
Universal joints	Round bearing type	Lighting switch	Fog lamp switch		
Center bearing	1-piece	Wiper and washer switch	Exhaust brake switch		
● BRAKES		Directional indicator and dimmer switch	Hazard lamp switch		
Type	Full air, dual circuit, "S" cam system with leading & trailing shoes for front and rear acting on all wheels	Others			
Size - Front	406.4 x 127mm	One-key starting-stopping	Horn button		
Size - Rear	406.4 x 203mm	Throttle control knob	Emergency stop control		
Effective Lining area	4,480 cm ²	● ELECTRICAL EQUIPMENT			
Air Dryer	Equipped	Type	24 volt, negative earth		
Air Compressor	Dual Cylinders water cooled type	Batteries	12 V x 2, series-connection Capacity: 65 Ah at 20-hour rate		
Park Brake	Spring Brake acting on rear wheels	Alternator	24 V, 50 A with built-in rectifier & voltage regulator		
Exhaust Brake	Electric-pneumatic operation with butterfly type valve	Headlamps	Semi-sealed beam, halogen type with integrated Fog lamps		
● STEERING		Other lamps	Clearance lamps, License plate lamp, Reversing lamp, Stop/Tail lamps, Roof Marker lamps, Internal Dome lamps (3)		
Type	Collapsible Telescopic and tilt steering column and wheel with locking device. Recirculating ball with hydraulic booster integral type	● OPTIONAL EQUIPMENT			
Gear Ratio	20.2:1	Engine Driven Power Take Off ABS Braking System (available by irrevocable order only)			
● FRONT SUSPENSION					
Type	Taper leaf springs with double acting shock absorbers				
Size	1,470 x 80mm				
Leaves	21 mm x 3				
● REAR SUSPENSION					
Type	Semi-elliptic main and auxiliary leaf springs				
Main - Size	1,400 x 90mm				
Main - Leaves	12 mm x 12				
Auxiliary - Size	980 x 90mm				
Auxiliary - Leaves	11mm x 3 + 12mm x 5				
● WHEEL AND TYRE					
Wheel type	10-stud disc wheel (ISO type)				
Rim size	8.25 x 22.5 - offset 165 mm				
Tyre size	11R22.5-148/145				
Number of tyres	7 (including one spare tyre)				
Spare tyre carrier	Not Equipped				
Tool Kit	Includes wheel brace and hydraulic jack				
● FUEL TANK					
Capacity	200 L				
Fuel pre-filter and sedimentor	Equipped, with Water Separator				