

# HINO

## 500 Series

# FM 2628



\* Illustration may contain item not standard to the model

**ADR 80/03 Model**  
**6 x 4 Cab Chassis**

## KEY FEATURES

- Cruise Control (Manual Models only)
- Anti-lock Brake System (ABS)
- Automatic Transmission Variants
- Air Rear Suspension options
- Drivers SRS Airbag
- Heated & Electrically Operated External Mirrors
- Front Underrun Protection (FUP) (ADR 84/00 Complied)
- ISRI 6860/870 Driver seat with integrated Safety Belt
- ECE R-29 Cab Strength Compliant

## KEY SPECIFICATIONS

<b>GVM</b>	26,000kg
<b>GCM</b>	Auto . . . 33,000kg
	Manual . . . 38,000kg
<b>Power</b>	206kW
<b>Torque</b>	824Nm
<b>Transmission</b>	Six-speed automatic
	Nine-speed manual
<b>Wheelbase</b>	4,240mm, 5,250mm, 6,500mm
<b>Nominal Body Length</b>	5,870mm, 7,480mm, 9,480mm

A Toyota Group Company

 **HINO**  
A BETTER CLASS OF TRUCK



# FM 2628

## Engine & Driveline Specifications

### ENGINE

Model . . . . .	Hino J08E-VD
Max. output (ISO Net) . . . . .	206kW (280 HP) at 2400 RPM
Max. output (JIS GROSS) . . . . .	210kW (285 HP) at 2400 RPM
Max. torque (ISO Net) . . . . .	824Nm (84kgf/m) at 1500 RPM
Max. torque (JIS GROSS) . . . . .	843Nm (86kgf/m) at 1500 RPM
Max. engine speed . . . . .	2500 RPM
Engine compliance . . . . .	ADR 80/03
Type . . . . .	Diesel, turbocharged & intercooled, six-cylinder in-line, overhead camshaft & water-cooled
Combustion system . . . . .	Direct injection with EGR
Bore & stroke . . . . .	112 x 130mm
Piston displacement . . . . .	7.684L
Compression ratio . . . . .	17:1
Engine oil capacity . . . . .	12.7L
Coolant capacity . . . . .	24.5L
Fuel injection pump . . . . .	Electronic control common-rail type
Intake system . . . . .	Stack-type air intake
Air cleaner . . . . .	Dual paper elements
Air compressor . . . . .	Single cylinder, water-cooled
Bore & stroke . . . . .	85 x 60mm
Fan clutch . . . . .	Equipped
Exhaust . . . . .	Horizontal outlet
Emission Control System . . . . .	EGR & DPR meeting ADR 80/03 using EURO V Std

### CLUTCH (Manual Models only)

Model . . . . .	CS-380 series
Type . . . . .	Dry single plate with damper springs
Facing material . . . . .	Moulded (non-asbestos)
Facing outside diameter . . . . .	380mm
Control . . . . .	Hydraulic with air booster

### TRANSMISSION & GEAR RATIOS

	Automatic		Manual
Model	Allison 3500		Eaton 11109
Description	Full automatic		Synchromesh
Number of forward gears	6		9
1st	4.593		12.637
2nd	2.257		8.806
3rd	1.535		6.550
4th	1.000		4.768
5th	0.749		3.548
6th	0.651		2.481
7th			1.845
8th			1.343
9th			1.000
Rev	4.999		13.210
Torque Converter & Ratio	TC 415	2.35	N/A

### PERFORMANCE

Calculations based on 26 ton GVM, 11R22.5 drive tyres			
Transmission	6 speed auto	9 speed manual	
Wheel base variant	All	Medium	XXL
Rear axle ratio	6.428	4.875	4.625
Engine RPM @ 100km/h	2,200	2,450	2,300
Max theoretical speed (km/h)	113	102	110
Gradeability tan $\theta$ (%) @ GVM	43.4	60.0	54.6
Speed limited to (km/h)	100		

### BRAKES

Type . . . . .	Full air, dual circuit, "S" cam, leading and trailing shoes for front and rear
Drum diameter x lining width . . . . .	Front: 406.4 x 152mm Rear: 406.4 x 216mm
Air dryer . . . . .	Equipped
Anti-lock Brake System (ABS) . . . . .	Equipped
Parking brake . . . . .	Spring brake, acting on FA & FR axles
Exhaust brake . . . . .	Electric-pneumatic with valve in exhaust pipe

### AXLE, SUSPENSION & LOAD LIMITS

FRONT	Front Axle Model	MF 671	
	Type	Reverse Elliot I-Beam	
	Suspension	Semi-elliptic tapered leaf springs with shock absorbers	
	Spring Dimensions	1,470 x 80mm	
	Number of Leafs	4	
	Spring Rate	32.8 kgf/mm	
REAR	Axle Limit (including suspension)	6,500 kg	
	Tyre Limit	7,100 kg	
	Rear Axle Model	THD 17 Tandem Axle	
	Type	Bogie drive with inter-axle differential lock, fully floating single reduction by Hypoid gears	
	Rear Suspension Models	6 Rod Leaf Rear	HAS Air Rear
	Suspension	Semi-elliptic multi leaf	Hendrickson HAS 400 airbag with double acting shock absorbers
	Dimensions	1,625 x 80mm	Road Friendly Suspension Rating N/o RF 2005
	Number of Leafs	13	
Spring Rate	293.7 kgf/mm		
Axle Limit	20,000 kg		
Tyre Limit	23,200 kg		

### WHEELS & TYRES

Wheel type . . . . .	10-stud disc wheel (ISO type) 335 PCD
Rim size . . . . .	8.25 x 22.5 – 165-12mm
Tyre size . . . . .	Front: 295/80R22.5 – 152/148 Rear: 11R22.5 – 148/145
Number of tyres . . . . .	Eleven (including one spare tyre)
Spare tyre carrier . . . . .	Equipped (except for medium)

### FUEL TANK

Capacity . . . . .	200L (Steel) Medium and Long 390L (Aluminium) XXlong
Fuel pre-filter & sedimenter . . . . .	Equipped
Fuel tank cap key . . . . .	Equipped

### STEERING

Type . . . . .	Telescopic and tilt steering column with locking device. Recirculating ball with Integral Power Steering
Gear ratio . . . . .	20.1:1
Steering angle . . . . .	<b>Inside:</b> 39°–42° <b>Outside:</b> 32°



# FM 2628

## Cab, Instrumentation & Chassis

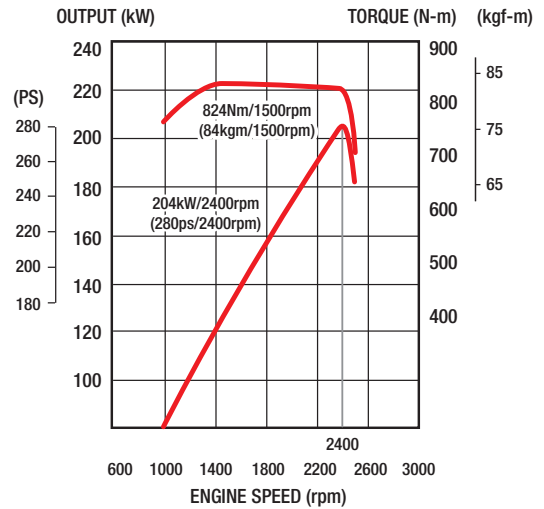
### CAB DETAILS

Type . . . . .	Forward control, all-steel construction mounted on coil spring suspension with electro hydraulic tilt mechanism
ECER29 Cab strength. . . . .	Compliant
Drivers SRS Airbag . . . . .	Equipped
Seating capacity . . . . .	Three
Driver's seat . . . . .	ISRI 6860/870 with urethane foam pads, high-back, lumbar support, multi adjustable, air suspended, with integrated safety belt
Side passenger's seat . . . . .	Urethane foam pads, high-back & reclining seat with fabric cover, air suspension
Centre passenger's seat. . . . .	Urethane foam pads & foldaway type with seat back tray, fabric cover
Seat belt . . . . .	3-point type on driver's & side passenger's seat 2-point type on centre passenger seat
Sun visor and overhead console . . . . .	For driver & passenger sides
Windshield wipers . . . . .	Electric, dual, intermittent & 2-speed
Ventilator . . . . .	Forced type by electric blower
Rear view mirrors . . . . .	External: Electric & heated, flat type, two convex spotters & kerb view
Cigarette lighter 24V . . . . .	Equipped
Electrical converter. . . . .	12V (harness type)
Floor mat . . . . .	Vinyl type
Front air spoiler . . . . .	Equipped
Central locking & keyless entry . . . . .	Equipped
Heater and defroster . . . . .	Standard
Air conditioner . . . . .	Standard
Trim . . . . .	Full trim type (side, roof & back)
Cab pockets . . . . .	Equipped on both door sides
Power windows . . . . .	Equipped
Rest area . . . . .	Equipped
Audio . . . . .	DAB+ AM/FM radio with CD & DVD player and Bluetooth
Speakers . . . . .	Driver & passenger sides
Foot rest . . . . .	Equipped
Cup holder . . . . .	Equipped
Cruise control . . . . .	Equipped (except for auto model)

### ELECTRICAL

Type . . . . .	24V, negative earth
Batteries . . . . .	12V x 2, series connection. Capacity 120Ah at 20-hour rate
Alternator type . . . . .	Brushless with built-in rectifier & voltage regulator
Capacity . . . . .	24V, 60A (90A for Auto)
Starter type . . . . .	24V, 4.5kW
Headlamps . . . . .	Halogen type including fog lamps
High/low beam . . . . .	Equipped
Fluorescent reading lamp . . . . .	Equipped
Electric horn . . . . .	Equipped

### POWER & TORQUE CHART (ISO Net) J08E-VD



### INSTRUMENTS

- Meters & gauges**
  - Speedometer
  - Odometer with trip meter
  - Tachometer
  - Fuel gauge
  - Coolant temperature gauge
  - Air pressure gauge
- Switches**
  - One-key starting-stopping
  - Lighting
  - Directional indicator, dimmer & passing
  - Wiper & washer
  - Hazard lamp
  - Exhaust brake
  - Map lamp
  - Fog lamp
  - Easy Start (Manual Models only)
  - Cruise Control (except Auto Model)
  - DPR regeneration
  - Mirror controls
  - PTO (optional)
- Warning, pilot lamps & buzzers**
  - Oil pressure lamp & buzzer
  - Air pressure lamp & buzzer
  - Engine over-run buzzer
  - Coolant level lamp & buzzer
  - Air pressure lamp & buzzer
  - High beam indicator lamp
  - Turn signal indicator lamp
  - Parking brake indicator lamp
  - Exhaust brake indicator lamp
  - Engine control system lamp
  - Hazard indicator lamp
  - Back-up buzzer
  - ABS warning lamp
- Others**
  - Idle up control knob
  - Horn button
  - 12V electric source
- Multi information display**
  - Fuel consumption
  - Service reminders
  - Warnings
  - Faults

### CHASSIS FRAME

Rear Suspension Type	6 Rod Leaf	HAS 400
Type	Ladder-shaped channel section side rails	
Chassis width (at rear)	870mm	
Main section (mm) (depth x flange x thickness)	298 x 90 x 7.0	300 x 90 x 8.0
Tensile strength	540N/mm <sup>2</sup>	
Inner Section (mm)	284 x 77 x 3.2	
Tensile strength	540N/mm <sup>2</sup>	
Front Underrun Protection	Equipped	
Tow Hook (front and rear)	Equipped	

### GENUINE ACCESSORY OPTIONS

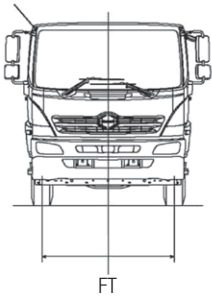
- |                              |                                    |
|------------------------------|------------------------------------|
| Bull bar                     | LED Driving Lights                 |
| Chrome wheel covers          | Sunvisor                           |
| Sat Nav                      | Timber dash panel                  |
| Rear vision camera (up to 3) | Engine driven PTO 1:0.72 step-down |
| Stoneguard                   | or 1:1.08 step-up                  |
- Please check with your dealer for price, availability & fitment for these options**



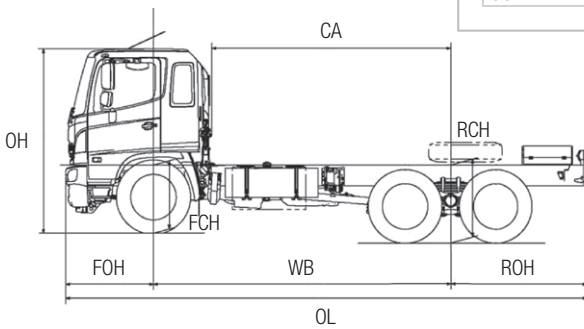
# FM 2628

# 500 Series

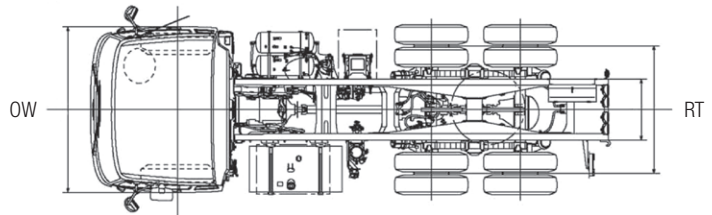
## Dimensions



FT



OL



### DIMENSIONS – mm/capacities

Model Hino Variants	FM 2628 Auto				FM 2628 Manual		
	Medium	Long	Long Air	XXLong Air	Medium	Medium Air	XXLong Air
Model Code	FM8JLMM-VHU	FM8JRKA-VHU	FM8JRKG-VHU	FM8JWKG-VHU	FM8JLMM-RHU	FM8JLMU-RHU	FM8JWKG-RHU
Nominal Body Length ((WB x .6) + CA – 80)	5,870	7,480		9,480	5,870		9,480
Wheelbase (WB)	4,240	5,250		6,500	4,240		6,500
Overall Length (OL)	7,450	8,995		11,085	7,450		11,085
Overall Width (OW)	2,470		2,450		2,470	2,450	
Overall Height (OH)				2,680			
Cab to Rear Axle centre (CA)	3,410	4,410		5,660	3,400		5,660
Front Overhang (FOH)				1,255			
Rear Overhang (ROH)	1,915	2,445		3,285	1,915		3,285
Front Chassis Height (FCH)				1,025			
Rear Chassis Height (RCH)	1,070		1,055		1,070		1,055
Road Clearance (RC)				245			
Front Track (FT)				1,925			
Rear Track (RT)	1,860		1,840		1,860	1,840	
Turning Circle Kerb to Kerb	16,000	20,400		24,600	17,000		24,600
Wall to Wall	17,400	21,850		26,050	18,450		26,050
Indicative Chassis Mass – kg (standard tools, 10 litres of fuel and spare tyre and subject to a ± 3% tolerance)							
Total	6,980	7,010	6,810	7,060	6,800	6,565	6,910
Front	3,280	3,225	3,230	3,340	3,025	3,050	3,220
Rear	3,700	3,785	3,580	3,720	3,775	3,515	3,690
GVM				26,000			
GCM	33,000				38,000		

### WARRANTY

New vehicle warranty period

Light Duty Model	Axle configuration	Standard warranty (whichever comes first)	Cab corrosion perforation
500 FM 2628	6 x 4	3 years or 200,000km	36 months

Battery warranty – 12 months from date of delivery

\* For conditions, refer to the Hino Parts & Service warranty brochure

Genuine parts or accessories warranty – 3 years unlimited kilometres when fitted by an authorised Hino dealer \*



### DISCLAIMER

Important notice. Hino Trucks are distributed in Australia by Hino Motor Sales Australia Pty Ltd A.C.N. 064 989 724.

All efforts have been made to ensure the information contained in this brochure was correct at time of printing or uploading. Hino Motor Sales Australia Pty Ltd reserves the right to alter any details of the specifications & equipment without notice. Hino in so far as it is permitted by law to do so, shall not be liable in any way as a result of any reliance placed by any person on anything contained in this brochure. You should therefore check with your authorised Hino dealer at the time of ordering your motor vehicle to ensure that colour, specifications, equipment, design features & options are available for the vehicle you are ordering. Please note that some options may only be available in combination with others. Authorised Hino dealers will on request provide up to date information on all accessories, design features, prices & availability.

HS500FM2628-09/15