

# HINO

# 500 Series

## FM 2630 Auto

## FM 2632 Manual



\* Illustration may contain item not standard to the model

### ADR 80/03 Model

### 6 x 4 Cab Chassis

## KEY FEATURES

- Cruise Control (Manual Models only)
- Anti-lock Brake System (ABS)
- Automatic Transmission Variants
- Air Rear Suspension options
- Drivers SRS Airbag
- Heated & Electrically Operated External Mirrors
- Front Underrun Protection (FUP) (ADR 84/00 Complied)
- ISRI 6860/870 Driver seat with integrated Safety Belt
- ECE R-29 Cab Strength Compliant

## KEY SPECIFICATIONS

<b>GVM</b>	26,000kg
<b>GCM</b>	36,500kg . . . Auto 45,000kg . . . Manual
<b>Power</b>	221kW . . . Auto 235kW . . . Manual
<b>Torque</b>	1,079Nm . . . Auto 1,275Nm . . . Manual
<b>Transmission</b>	Six-speed automatic Eleven-speed manual
<b>Wheelbase</b>	4,240mm, 5,250mm, 6,500mm
<b>Nominal Body Length</b>	5,870mm, 7,430mm, 9,480mm



# FM 2630 Auto FM 2632 Manual

## Engine & Driveline Specifications

### ENGINE

	FM 2630 Auto	FM 2632 Manual
Model	Hino A09C-TT	Hino A09C-UK
Max. output (ISO Net) @ RPM	221kW (300 HP) @ 2,100	235kW (320 HP) @ 1,800
Max. output (JIS GROSS) @ RPM	224kW (305 HP) @ 2,100	239kW (325 HP) @ 1,800
Max. torque (ISO Net) @ RPM	1,079Nm (110kgf/m) @ 1,100	1,275Nm (110kgf/m) @ 1,100
Max. torque (JIS GROSS) @ RPM	1,098Nm (112kgf/m) @ 1,100	1,295Nm (112kgf/m) @ 1,100
Max. engine speed (RPM)	2,100	2,000

Engine compliance . . . . . ADR 80/03  
 Type . . . . . Diesel, turbocharged & intercooled, six-cylinder in-line, overhead camshaft & water-cooled  
 Combustion system . . . . . Direct injection with EGR  
 Bore & stroke . . . . . 112 x 150mm  
 Piston displacement . . . . . 8.866L  
 Compression ratio . . . . . 17:1  
 Engine oil capacity . . . . . 28.7L  
 Coolant capacity . . . . . 30.0L  
 Fuel injection pump . . . . . Electronic control common-rail type  
 Intake system . . . . . Stack-type air intake  
 Air cleaner . . . . . Dual paper elements  
 Air compressor . . . . . Single cylinder, water-cooled  
 Bore & stroke . . . . . 85 x 60mm  
 Fan clutch . . . . . Equipped  
 Exhaust . . . . . Horizontal outlet  
 Emission Control System . . . . . EGR & DPR meeting ADR 80/03 using EURO V Std

### CLUTCH (Manual Models only)

Model . . . . . CS-430 series  
 Type . . . . . Dry single plate with damper springs  
 Facing material . . . . . Moulded (non-asbestos)  
 Facing outside diameter . . . . . 430mm  
 Control . . . . . Hydraulic with air booster

### TRANSMISSION & GEAR RATIOS

	FM 2630 Auto		FM 2632 Manual
Model	Allison 3500		Eaton RTO 11909LL
Description	Full automatic		Constant mesh
Number of forward gears	6		11
	LL		26.080
	L		16.300
	1st	4.593	11.853
	2nd	2.257	7.408
	3rd	1.535	5.234
	4th	1.000	3.794
	5th	0.749	2.770
	6th	0.650	1.952
	7th		1.380
	8th		1.000
	9th		0.730
	Rev LL		20.848
	Rev	4.999	13.030
Torque Converter & Ratio	TC 421	1.77	N/A

### PERFORMANCE

Calculations based on 26 ton GVM, 11R22.5 drive tyres

Model	FM 2630 Auto	FM 2632 Manual
Rear axle ratio	5.428	4.875
Engine RPM @ 100km/h	1,850	1,870
Max theoretical speed (km/h)	113	107
Gradeability tan $\Theta$ (%) @ GVM	49	60
Speed limited to (km/h)	100	

### BRAKES

Type . . . . . Full air, dual circuit, "S" cam, leading and trailing shoes for front and rear  
 Drum diameter x lining width . . . . . Front: 406.4 x 152mm  
 . . . . . Rear: 406.4 x 216mm  
 Air dryer . . . . . Equipped  
 Anti-lock Brake System (ABS) . . . . . Equipped  
 Parking brake . . . . . Spring brake, acting on FA & FR axles  
 Engine brake . . . . . Jake Type equipped

### AXLE, SUSPENSION & LOAD LIMITS

FRONT	Front Axle Model	MF 671	
	Type	Reverse Elliot I-Beam	
	Suspension	Semi-elliptic tapered leaf springs with shock absorbers	
	Spring Dimensions	1,470 x 80mm	
	Number of Leafs	4	
	Spring Rate	32.8 kgf/mm	
	Axle Limit (including suspension)	6,500 kg	
	Tyre Limit	7,100 kg	
REAR	Rear Axle Model	THD 17 Tandem Axle	
	Type	Bogie drive with inter-axle differential lock, fully floating single reduction by Hypoid gears	
	Rear Suspension Models	6 Rod Leaf Rear	HAS Air Rear
	Suspension	Semi-elliptic multi leaf	Hendrickson HAS 400 airbag with double acting shock absorbers
	Dimensions	1,625 x 80mm	Road Friendly Suspension Rating N/o RF 2005
	Number of Leafs	13	
	Spring Rate	293.7 kgf/mm	
	Axle Limit	20,000 kg	
Tyre Limit	23,200 kg		

### WHEELS & TYRES

Wheel type . . . . . 10-stud disc wheel (ISO type) 335 PCD  
 Rim size . . . . . 8.25 x 22.5 – 165-12mm  
 Tyre size . . . . . Front: 295/80R22.5 – 152/148  
 . . . . . Rear: 11R22.5 – 148/145  
 Number of tyres . . . . . Eleven (including one spare tyre)  
 Spare tyre carrier . . . . . Equipped (except for medium)

### FUEL TANK

Capacity . . . . . 300L (Steel) Medium and Long  
 . . . . . 390L (Aluminium) XXlong  
 Fuel pre-filter & sedimenter . . . . . Equipped  
 Fuel tank cap key . . . . . Equipped

### STEERING

Type . . . . . Telescopic and tilt steering column with locking device. Recirculating ball with Integral Power Steering  
 Gear ratio . . . . . 20.1:1  
 Steering angle . . . . . **Inside:** 39°–42° **Outside:** 32°



# FM 2630 Auto FM 2632 Manual

## Cab, Instrumentation & Chassis

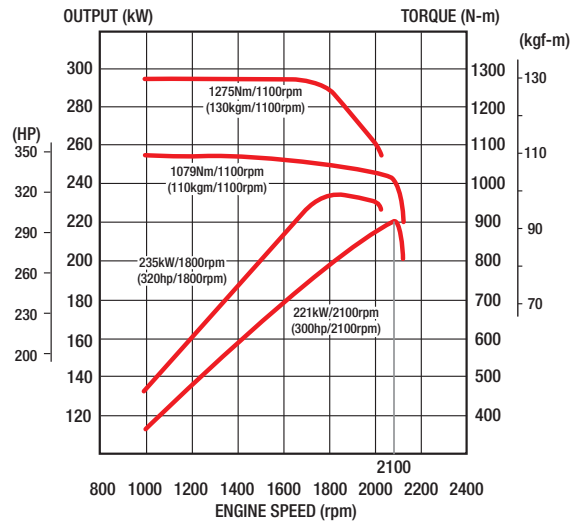
### CAB DETAILS

Type . . . . .	Forward control, all-steel construction mounted on coil spring suspension with electro hydraulic tilt mechanism
ECER29 Cab strength. . . . .	Compliant
Drivers SRS Airbag . . . . .	Equipped
Seating capacity . . . . .	Three
Driver's seat . . . . .	ISRI 6860/870 with urethane foam pads, high-back, lumbar support, multi adjustable, air suspended, with integrated safety belt
Side passenger's seat . . . . .	Urethane foam pads, high-back & reclining seat with fabric cover, air suspension
Centre passenger's seat. . . . .	Urethane foam pads & foldaway type with seat back tray, fabric cover
Seat belt . . . . .	3-point type on driver's & side passenger's seat 2-point type on centre passenger seat
Sun visor and overhead console . . . . .	For driver & passenger sides
Windshield wipers . . . . .	Electric, dual, intermittent & 2-speed
Ventilator . . . . .	Forced type by electric blower
Rear view mirrors . . . . .	External: Electric & heated, flat type, two convex spotters & kerb view
Cigarette lighter 24V . . . . .	Equipped
Electrical converter. . . . .	12V (harness type)
Floor mat . . . . .	Vinyl type
Front air spoiler . . . . .	Equipped
Central locking & keyless entry . . . . .	Equipped
Heater and defroster . . . . .	Standard
Air conditioner . . . . .	Standard
Trim . . . . .	Full trim type (side, roof & back)
Cab pockets . . . . .	Equipped on both door sides
Power windows . . . . .	Equipped
Rest area . . . . .	Equipped
Audio . . . . .	DAB+ AM/FM radio with CD & DVD player and Bluetooth
Speakers . . . . .	Driver & passenger sides
Foot rest . . . . .	Equipped
Cup holder . . . . .	Equipped
Cruise control . . . . .	Equipped (except for auto model)

### ELECTRICAL

Type . . . . .	24V, negative earth
Batteries . . . . .	12V x 2, series connection. Capacity 120Ah at 20-hour rate
Alternator type . . . . .	Brushless with built-in rectifier & voltage regulator
Capacity . . . . .	24V, 60A (90A for Auto)
Starter type . . . . .	24V, 4.5kW
Headlamps . . . . .	Halogen type including fog lamps
High/low beam . . . . .	Equipped
Fluorescent reading lamp . . . . .	Equipped
Electric horn . . . . .	Equipped

### POWER & TORQUE CHART (ISO Net) A09C-TT AND A09C-UK



### INSTRUMENTS

- Meters & gauges**
  - Speedometer
  - Odometer with trip meter
  - Tachometer
  - Fuel gauge
  - Coolant temperature gauge
  - Air pressure gauge
- Switches**
  - One-key starting-stopping
  - Lighting
  - Directional indicator, dimmer & passing
  - Wiper & washer
  - Hazard lamp
  - Exhaust brake
  - Map lamp
  - Fog lamp
  - Easy Start (Manual Models only)
  - Cruise Control (except Auto Model)
  - DPR regeneration
  - Mirror controls
  - PTO (optional)
- Warning, pilot lamps & buzzers**
  - Oil pressure lamp & buzzer
  - Air pressure lamp & buzzer
  - Engine over-run buzzer
  - Coolant level lamp & buzzer
  - Air pressure lamp & buzzer
  - High beam indicator lamp
  - Turn signal indicator lamp
  - Parking brake indicator lamp
  - Exhaust brake indicator lamp
  - Engine control system lamp
  - Hazard indicator lamp
  - Back-up buzzer
  - ABS warning lamp
- Others**
  - Idle up control knob
  - Horn button
  - 12V electric source
- Multi information display**
  - Fuel consumption
  - Service reminders
  - Warnings
  - Faults

### CHASSIS FRAME

Rear Suspension Type	6 Rod Leaf	HAS 400
Type	Ladder-shaped channel section side rails	
Chassis width (at rear)	870mm	
Main section (mm) (depth x flange x thickness)	300 x 90 x 8.0	
Tensile strength	540N/mm <sup>2</sup>	
Inner Section (mm)	284 x 77 x 3.2	N/A
Tensile strength	540N/mm <sup>2</sup>	
Front Underrun Protection	Equipped	
Tow Hook (front and rear)	Equipped	

### GENUINE ACCESSORY OPTIONS

- |                              |                             |
|------------------------------|-----------------------------|
| Bull bar                     | LED Driving Lights          |
| Chrome wheel covers          | Sunvisor                    |
| Sat Nav                      | Timber dash panel           |
| Rear vision camera (up to 3) | Engine driven PTO 1:1 ratio |
| Stoneguard                   |                             |

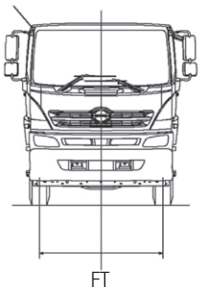
Please check with your dealer for price, availability & fitment for these options



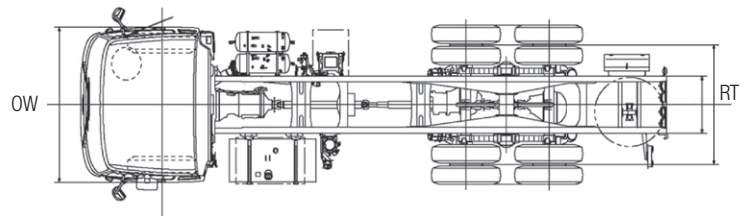
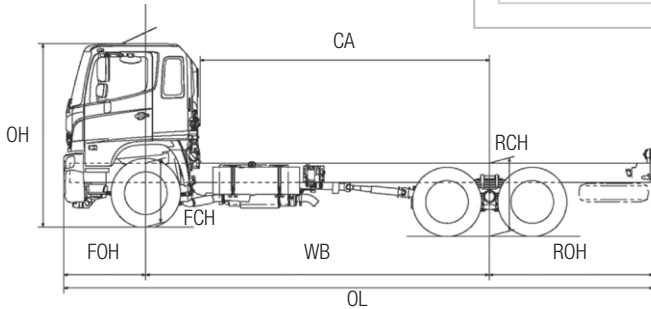
# FM 2630 Auto FM 2632 Manual

# 500 Series

## Dimensions



FT



### DIMENSIONS – mm/capacities

Model Hino Variants	FM 2630 Auto			FM 2632 Manual			
	Medium	Long	Long Air	Medium	Long	XXLong	XXLong Air
Model Code	FM1ALMM- VHU	FM1ARMA- VHU	FM1ARMG- VHU	FM1ALNM- THU	FM1ARNA- THU	FM1AWNA- THU	FM1AWNG- THU
Nominal Body Length (WB x .6) + CA – 80)	5,810	7,430		5,870	7,430	9,480	
Wheelbase (WB)	4,240	5,250		4,240	5,250	6,500	
Overall Length (OL)	7,450	8,995		7,450	8,995	11,085	
Overall Width (OW)	2,470		2,450	2,470		2,450	
Overall Height (OH)				2,830			
Cab to Rear Axle centre (CA)	3,355	4,365		3,410	4,420	5,670	
Front Overhang (FOH)				1,255			
Rear Overhang (ROH)	1,915	2,445		1,915	2,445	3,285	
Front Chassis Height (FCH)				1,015			
Rear Chassis Height (RCH)	1,070		1,060	1,070		1,060	
Road Clearance (RC)				245			
Front Track (FT)				1,925			
Rear Track (RT)	1,860		1,840	1,860		1,840	
Turning Circle Kerb to Kerb	17,000	20,400		17,000	20,400	24,600	
Wall to Wall	18,450	21,850		18,400	21,800	26,000	
Indicative Chassis Mass – kg (standard tools, 10 litres of fuel and spare tyre and subject to a ± 3% tolerance)							
Total	7,205	7,330	7,100	7,565	7,660	7,960	7,765
Front	3,400	3,635	3,505	3,695	3,755	3,905	3,910
Rear	3,805	3,695	3,595	3,870	3,905	4,055	3,855
GVM				26,000			
GCM	36,500			45,000			

### WARRANTY

New vehicle warranty period

Light Duty Model	Axle configuration	Standard warranty (whichever comes first)	Cab corrosion perforation
500 FM 2630/FM 2632	6 x 4	3 years or 200,000km	36 months

Battery warranty – 12 months from date of delivery

\* For conditions, refer to the Hino Parts & Service warranty brochure

Genuine parts or accessories warranty – 3 years unlimited kilometres when fitted by an authorised Hino dealer \*



### DISCLAIMER

Important notice. Hino Trucks are distributed in Australia by Hino Motor Sales Australia Pty Ltd A.C.N. 064 989 724.

All efforts have been made to ensure the information contained in this brochure was correct at time of printing or uploading. Hino Motor Sales Australia Pty Ltd reserves the right to alter any details of the specifications & equipment without notice. Hino in so far as it is permitted by law to do so, shall not be liable in any way as a result of any reliance placed by any person on anything contained in this brochure. You should therefore check with your authorised Hino dealer at the time of ordering your motor vehicle to ensure that colour, specifications, equipment, design features & options are available for the vehicle you are ordering. Please note that some options may only be available in combination with others. Authorised Hino dealers will on request provide up to date information on all accessories, design features, prices & availability.

HS500FM26302632-09/15