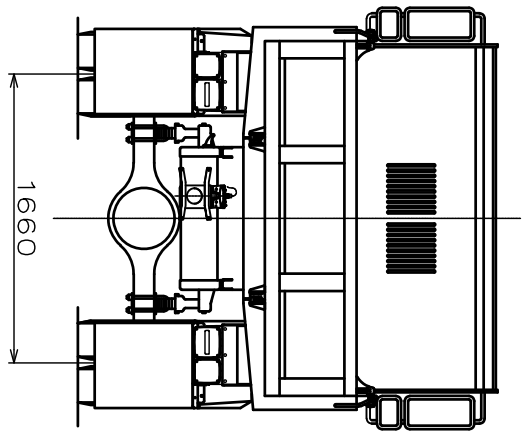
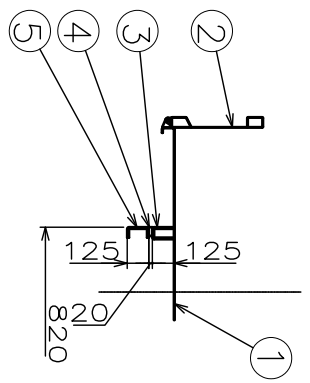
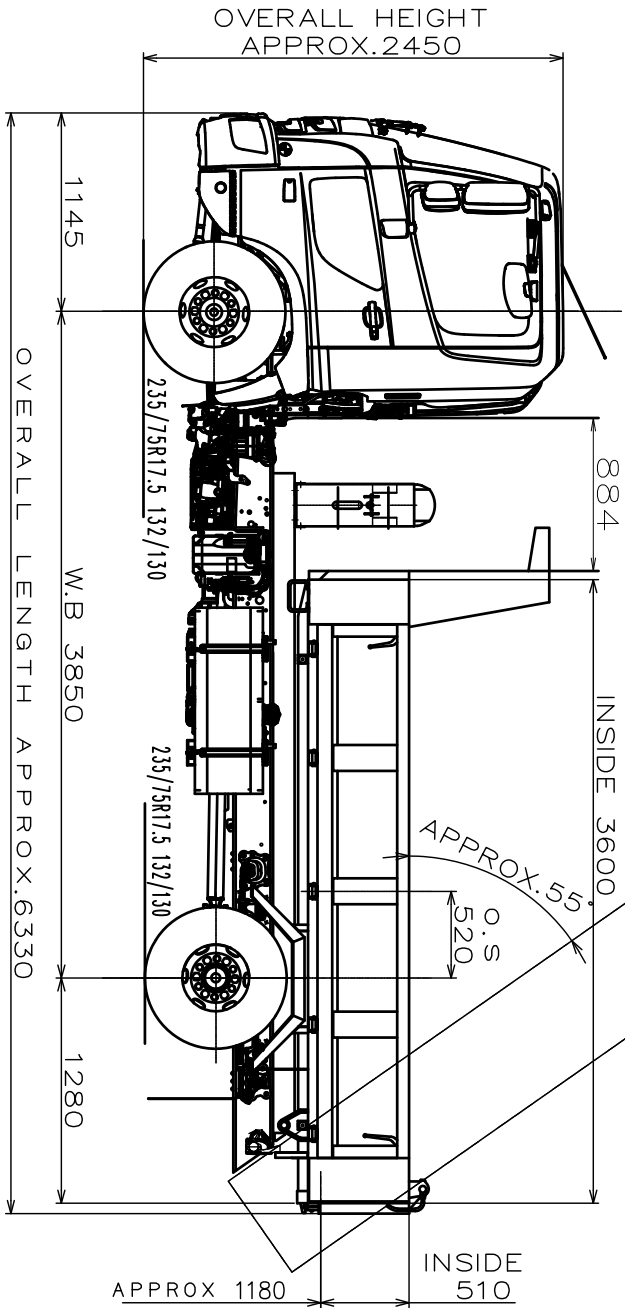
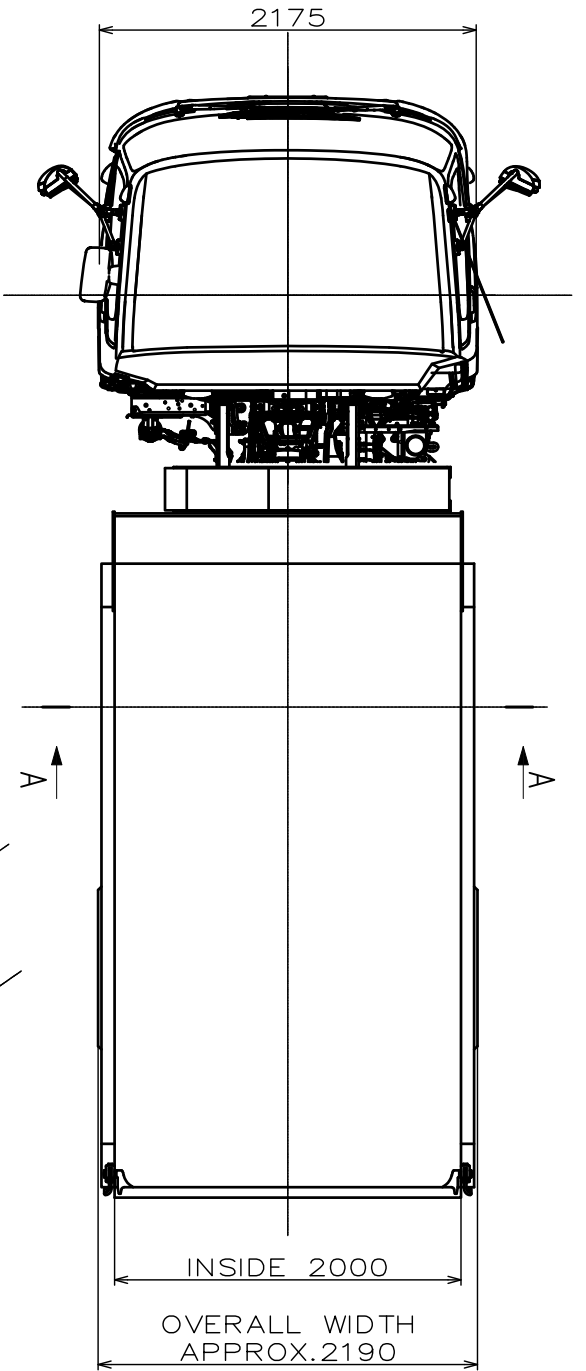


Description	Dimension	Material
1 Deck plate	t6.0	Mild Steel
2 Side plate	t3.2	Mild Steel
3 Deck frame	t6.0	Mild Steel
4 Spacer	D20x50	Plastic
5 Sub-frame	t4.0	Mild Steel

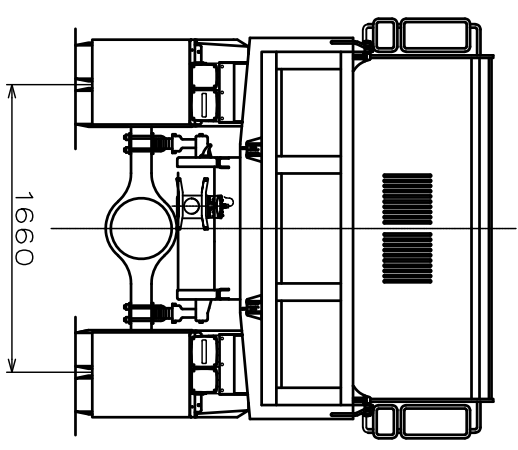


VOLUME(3.6 m<sup>3</sup>)

DRAWING NO.	HDD3-01041	REAR DUMP TRUCK(DROP SIDE)
DATE	SEP.03.2018	CHASSIS MODEL
		HINO FC2AE1M
		足池杉新
		立田山井
<b>HINO MOTORS, LTD.</b>		

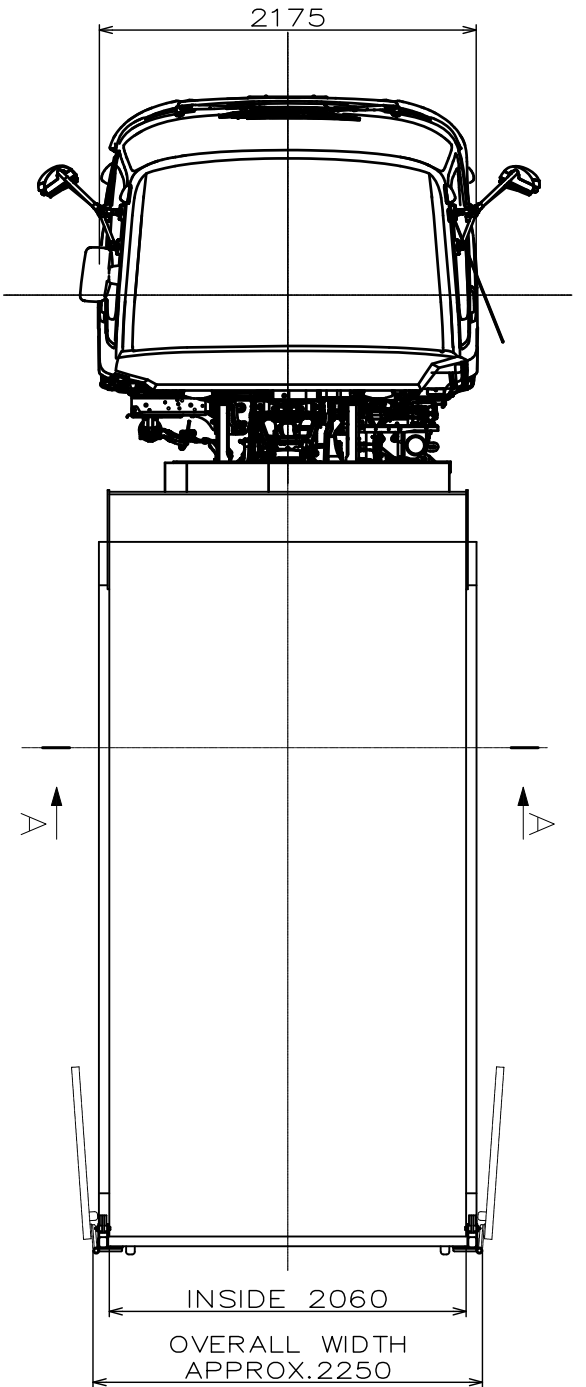


Description	Dimension	Material
1 Deck plate	16.0	Mild Steel
2 Side plate	13.2	Mild Steel
3 Deck frame	16.0	Mild Steel
4 Spacer	Ø20x50	Plastic
5 Sub-frame	14.0	Mild Steel



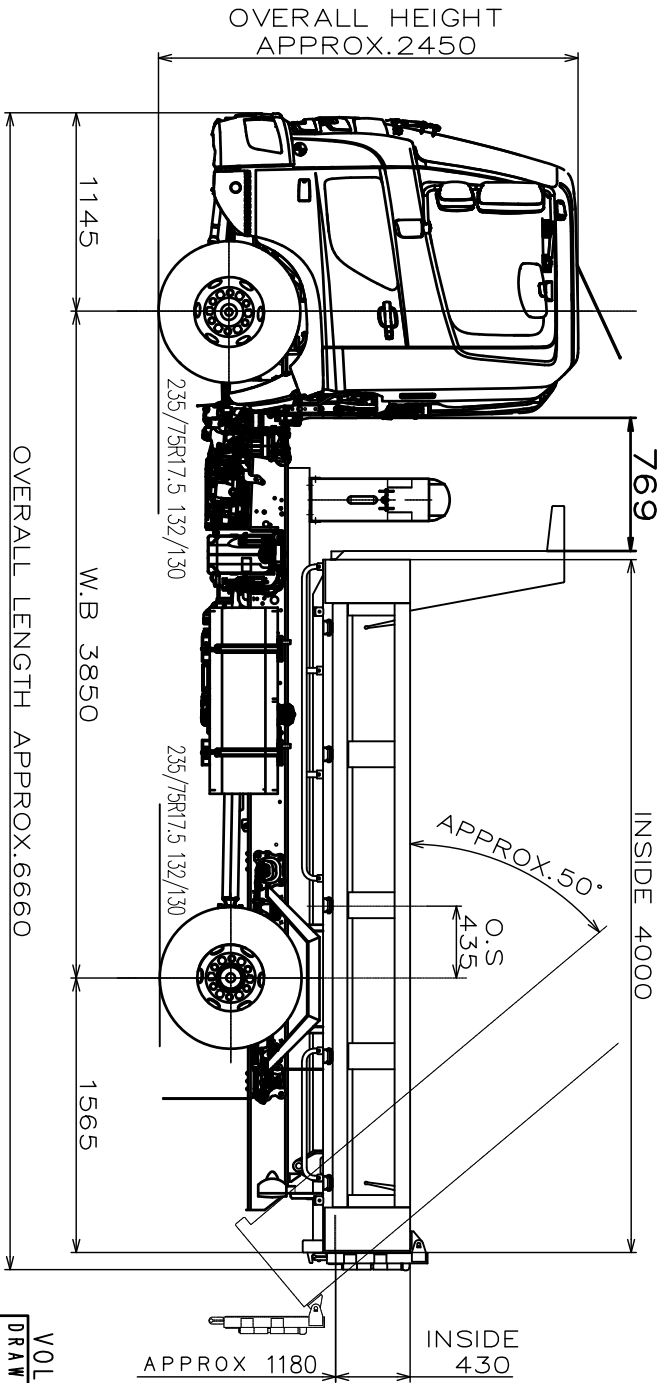
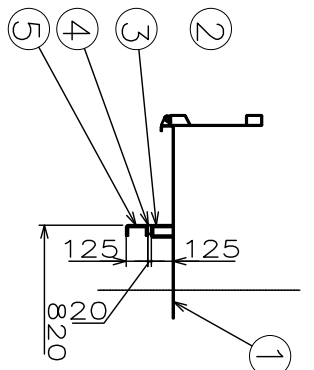
VOLUME (3.6 m<sup>3</sup>)

DRAWING NO.	HDD3-01042	REAR DUMP TRUCK (DROP SIDE)
DATE	SEP.03.2018	CHASSIS MODEL
		HINO FC2AG1A
		HINO MOTORS, LTD.

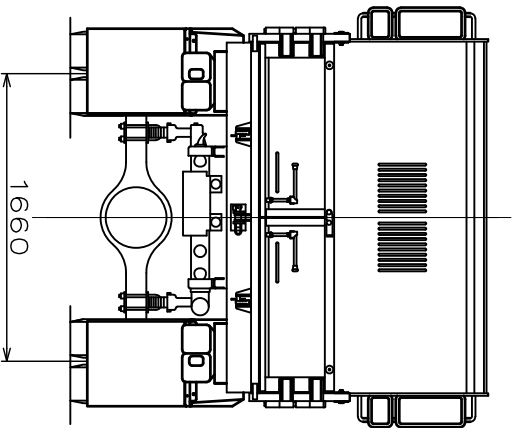


Description	Dimension	Material
1 Deck plate	16.0	Mild Steel
2 Side plate	13.2	Mild Steel
3 Deck frame	16.0	Mild Steel
4 Spacer	Ø20x50	Plastic
5 Sub-frame	14.0	Mild Steel

A - A SECTION



VOLUME(3.5<sup>5</sup> m)



DRAWING NO.	HDD3-01043	REAR DUMP TRUCK(DROP SIDE)
DATE	SEP.03.2018	CHASSIS MODEL
		HINO FC2AG1A
		足池形新林
		立田山井
		HINO MOTORS,LTD.