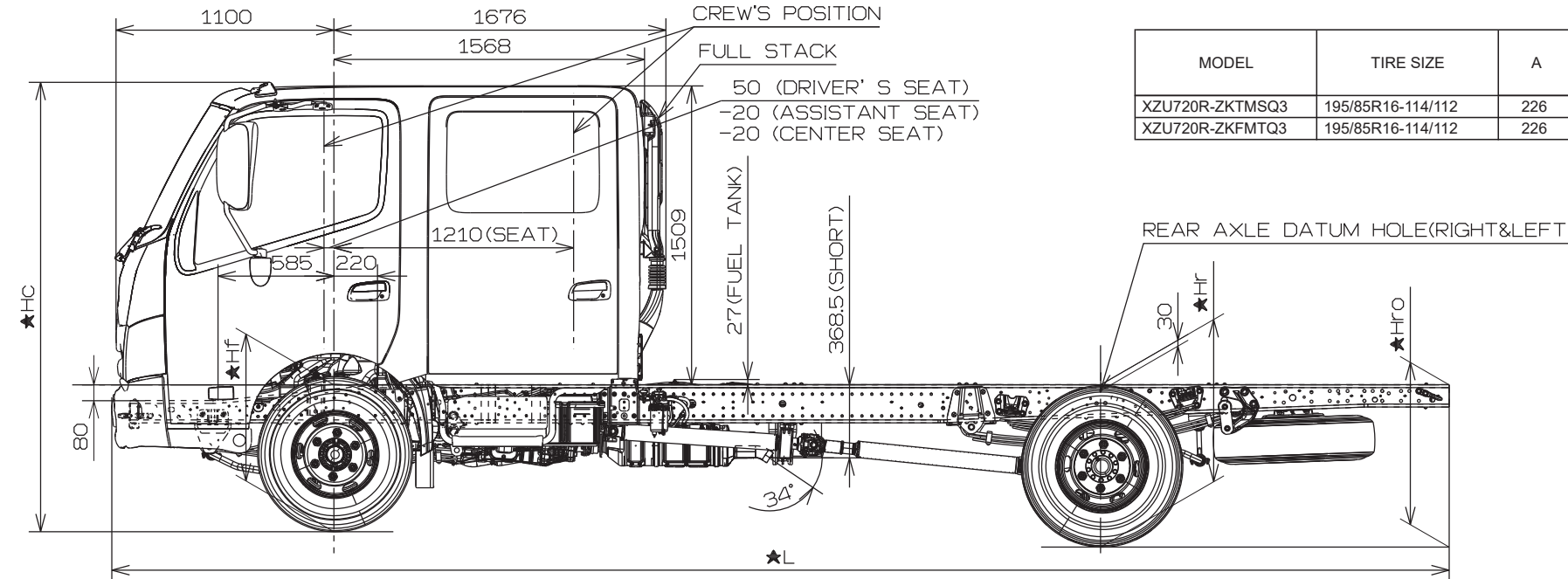
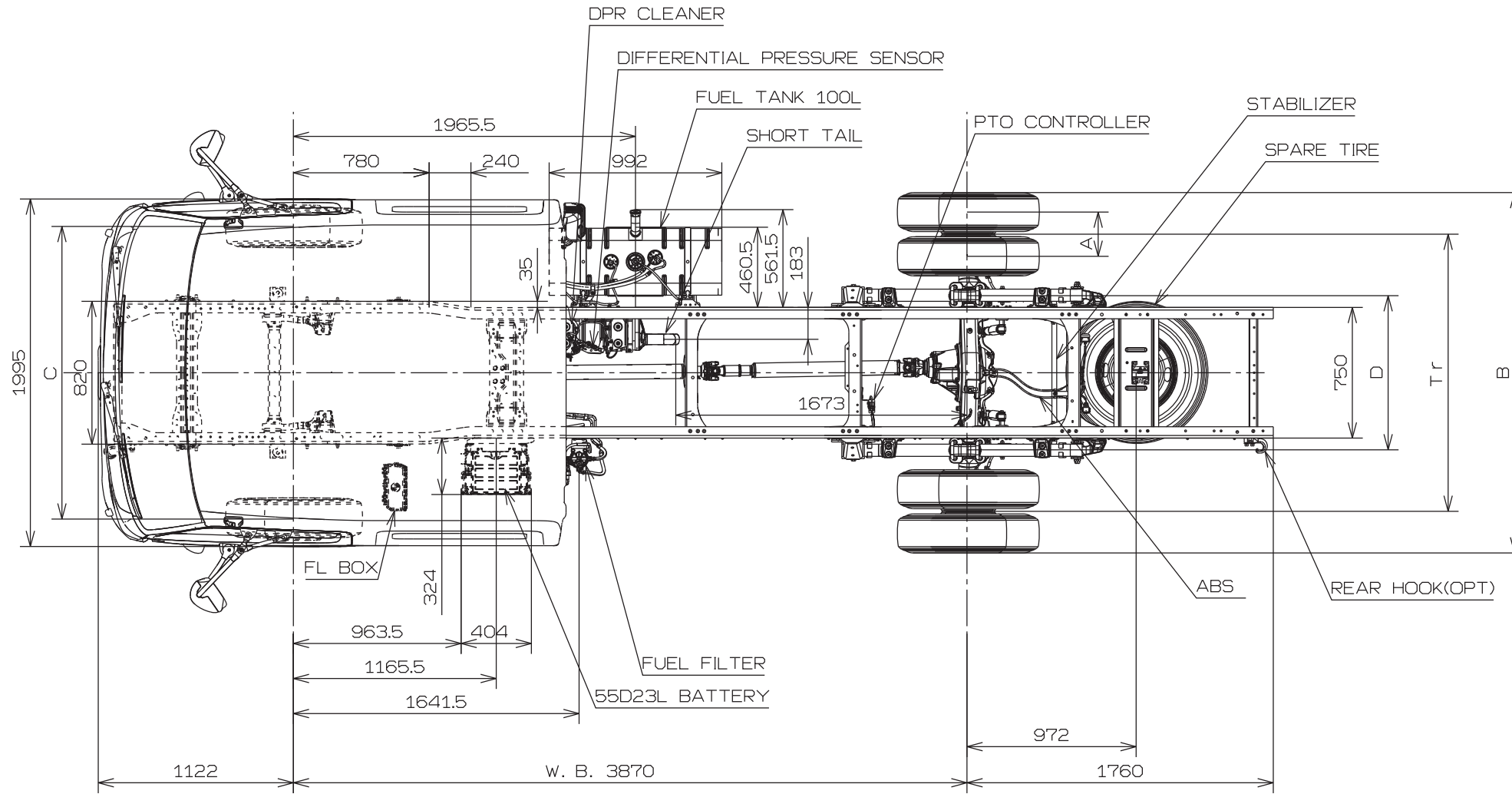


300 Series MY20 Cab & Chassis drawings

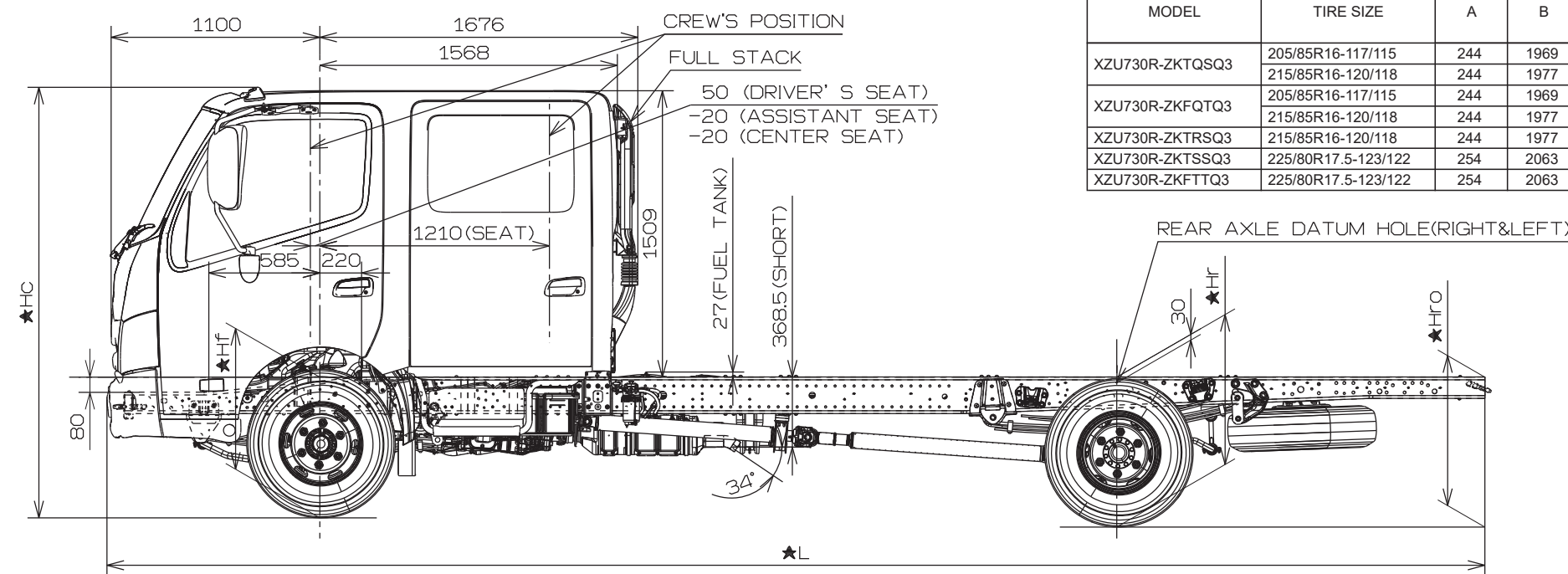
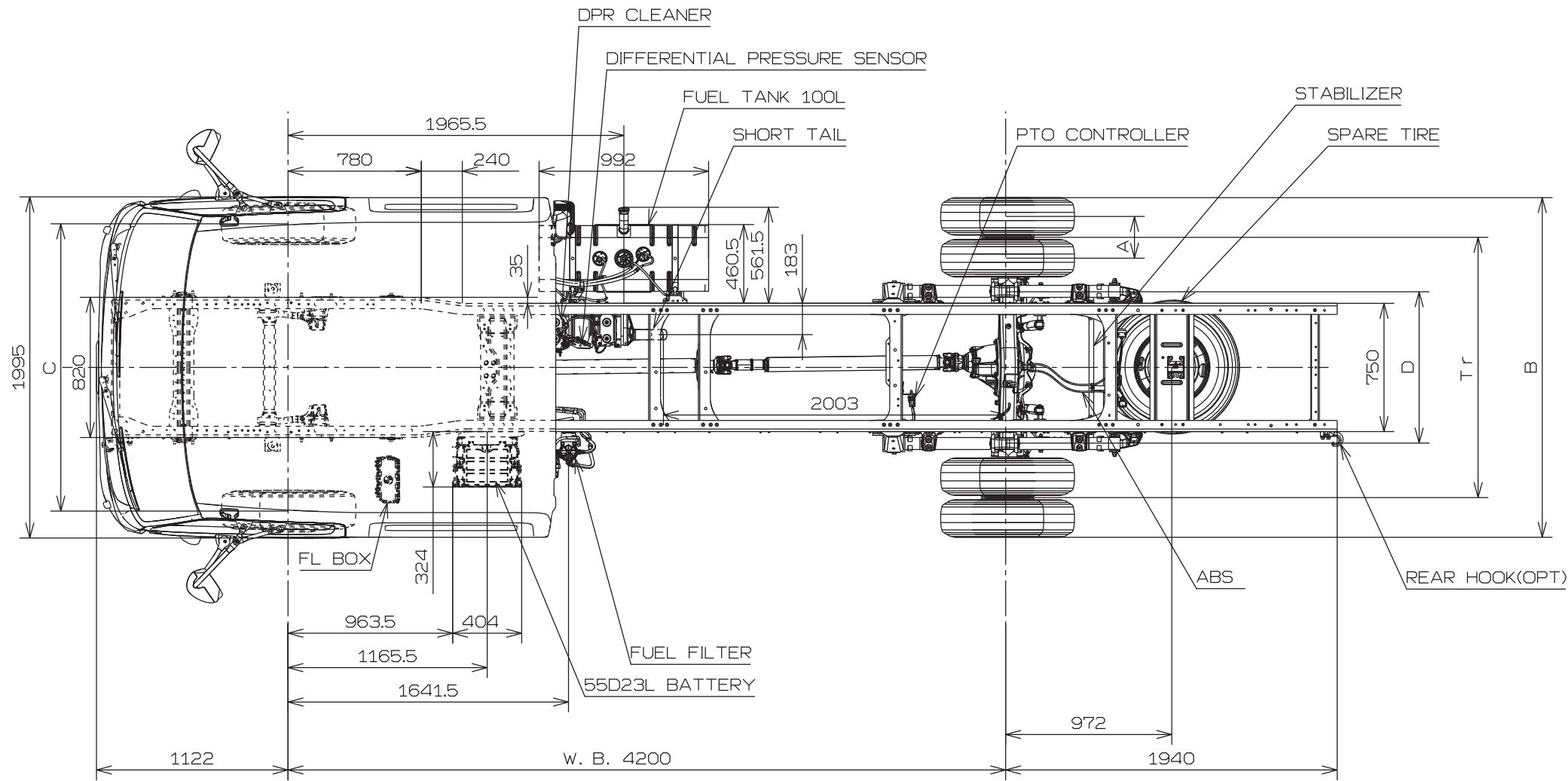
Model	616 & 617 / 716 & 717 / 816 & 917 CREW Wide CAB	
Variant	Product Code	Chassis drawing
616 AT 3870 WIDE CREW	XZU720R-ZKTMSQ3	CH-6
617 MT 3870 WIDE CREW	XZU720R-ZKFMTQ3	CH-6
716 AT 4200 WIDE CREW	XZU730R-ZKTQSQ3	CH-7
717 MT 4200 WIDE CREW	XZU730R-ZKFQTQ3	CH-7
816 AT 4200 WIDE CREW	XZU730R-ZKTSSQ3	CH-7
917 MT 4200 WIDE CREW	XZU730R-ZKFTTQ3	CH-7



MODEL	TIRE SIZE	A	B	C	D	Tr	DETAIL OF ★L				★L	★Hc		★Hf	★Hr	★Hro
							FRAME	HOOK	SPARE TIRE	Rr. BUMPER		ROOF	LAMP			
XZU720R-ZKTMSQ3	195/85R16-114/112	226	1904	1665	890	1480	6740	6705	-	-	6740	2206	2199	675	747	780
XZU720R-ZKFMTQ3	195/85R16-114/112	226	1904	1665	890	1480	6740	6705	-	-	6740	2207	2200	676	748	780

[NOTE]

- The dimensions described above are designed figure under the chassis condition.
- When selected or fitted optional equipment or local parts such as tire, leaf spring, fuel tank and etc., should be examined the frame height from ground by body manufacturer.
- Figures marked "★" dimensions are measured in parallel with the surface of the ground.



MODEL	TIRE SIZE	A	B	C	D	Tr	DETAIL OF ★L				★L	★Hc		★Hf	★Hr	★Hro
							FRAME	HOOK	SPARE TIRE	Rr. BUMPER		ROOF	LAMP			
XZU730R-ZKTQSQ3	205/85R16-117/115	244	1969	1665	890	1520	7250	7284	-	-	7284	2220	2219	693	756	785
	215/85R16-120/118	244	1977	1665	890	1520	7250	7284	-	-	7284	2230	2229	703	765	794
XZU730R-ZKFQTQ3	205/85R16-117/115	244	1969	1665	890	1520	7250	7284	-	-	7284	2220	2220	694	756	785
	215/85R16-120/118	244	1977	1665	890	1520	7250	7284	-	-	7284	2230	2230	704	766	794
XZU730R-ZKTRSQ3	215/85R16-120/118	244	1977	1665	890	1520	7249	7283	-	-	7283	2240	2231	707	792	832
XZU730R-ZKTSSQ3	225/80R17.5-123/122	254	2063	1655	890	1590	7249	7283	-	-	7283	2257	2248	724	808	847
XZU730R-ZKFTTQ3	225/80R17.5-123/122	254	2063	1655	890	1590	7249	7283	-	-	7283	2258	2248	725	812	853

[NOTE]

- The dimensions described above are designed figure under the chassis condition.
- When selected or fitted optional equipment or local parts such as tire, leaf spring, fuel tank and etc., should be examined the frame height from ground by body manufacturer.
- Figures marked "★" dimensions are measured in parallel with the surface of the ground.