

HINO

GT 1322 Single Cab Crew Cab

500 Series



* Illustration may contain item not standard to the model

ADR 80/03 Model
4 x 4 Cab Chassis

KEY FEATURES

- Single or Crew Cab variants
- 7 seat capacity: 3 front 4 rear (Crew Only)
- Selectable 4 x 4 & Low range
- Low range ratio 2.224:1
- Cruise Control (single cab only)
- Anti-lock Brake system (ABS)
- Automatic & Manual Transmission Variants
- Drivers SRS Airbag
- Heated & Electrically Operated External Mirrors
- ISRI 6860/870 Drivers seat with integrated Safety Belt

KEY SPECIFICATIONS

GVM.	13,000kg
GCM.	Manual 21,000kg
	Automatic On application
Power	215hp/158kW
Torque	637Nm
Transmission	Six-speed synchromesh Manual
	Five-speed Allison 2500 Automatic
	Transfer Case with Hi & Lo
Wheelbase	Single Cab 4.1m, 4.25m, 4.65m
	Crew Cab 4.25m, 4.65m

GT 1322 Engine & Driveline Specifications

ENGINE

Model	Hino J08E VE		
Max. output (ISO NET)	158kW (215hp) @ 2400 RPM		
Max. torque (ISO NET)	637Nm @ 1500 RPM		
Max. engine speed	2500 RPM		
Engine compliance	ADR 80/03		
Type	Diesel, turbocharged & intercooled, six-cylinder in-line, overhead camshaft & water-cooled		
Combustion system	Direct injection with EGR		
Bore & stroke	112 x 130mm		
Piston displacement	7.684L		
Compression ratio	17.0:1		
Engine oil capacity	13.5L		
Coolant capacity	21.0L		
Fuel injection pump	Electronic control common-rail type		
Air cleaner	Dual paper element (Single Cab) Single paper element (Crew Cab)		
Air compressor	Type	Single cylinder, water-cooled	
	Bore & stroke	70 x 40mm	
Fan clutch	Equipped		
Exhaust	Horizontal outlet with DPR		
Emission Control System	EGR & DPR meeting ADR 80/03 using EURO 5 Std		
Flywheel PTO	(Crew Auto Only)		

CLUTCH (Manual models only)

Model	CS-350 series		
Type	Dry single plate with damper springs		
Facing material	Organic (non-asbestos)		
Facing outside diameter	350mm		
Control	Hydraulic with air booster		

TRANSFER

Model	MA12C		
Type	Two-speed		
Low ratio	2.224:1		

TRANSMISSION & GEAR RATIOS

Type	Manual		Auto	
	LX06 S		Allison 2500	
Description	6 forward 1 reverse speeds, overdrive with Synchro on 2nd to 6th		5 forward 1 reverse speeds, overdrive automatic	
Control	Cable with power shift		Cable	
Ratio	Low	High	Low	High
1st gear	13.532	6.098	7.811	3.512
2nd gear	8.580	3.838	4.217	1.896
3rd gear	5.204	2.340	3.200	1.439
4th gear	3.162	1.422	2.224	1.000
5th gear	2.224	1.000	1.639	0.737
6th gear	1.692	0.761		
Reverse	12.614	5.672	11.311	5.086
Rear axle gear ratio	5.428		5.428	

PERFORMANCE

Calculations Based on 13.0 tonne GVM, with 11R22.5 tyres		
Model	Manual	Auto
Engine RPM @ 100 km/h	2,170	2,100
Max theoretical speed (km/h)	115	119
Gradeability tan (%) @ GVM	60	
Speed limited to (km/h)	100	

BRAKES

Type	Hydraulic system with two leading shoes for front and rear acting on all wheels
Control	Air over hydraulic, dual circuits
Drum diameter x lining width	Front: 400 x 120mm Rear: 400 x 155mm
Air dryer	Equipped
ABS	STD
Auto brake adjuster	Equipped
Parking brake	Spring brake, acting on rear wheels
Exhaust brake	Electric-pneumatic with valve in exhaust pipe

AXLE, SUSPENSION & LOAD LIMITS

FRONT		REAR	
Front Axle Model	SS 15		
Type	Fully floating, single reduction by spiral bevel gears with constant velocity universal joints		
Suspension	Semi-elliptic springs with shock absorbers		
Spring Dimensions	1,400 x 80mm		
Spring Rate	25.8 kgf/mm		
Axle Limit (including suspension)	4,700 kg		
Tyre Limit	6,300 kg		
Rear Axle Model	SH 16 single speed by Hypoid gears		
Type	Fully floating, single reduction by Hypoid gears		
Suspension	Semi-elliptic main springs with auxiliary set		
Spring Dimensions	Main	auxiliary	
	1,600 x 80mm	1,050 x 80mm	
Spring Rate	28.2 kgf/mm	75.7 kgf/mm	
No Spin Differential Lock	STD (optional delete)		
Axle Limit	9,200 kg		
Tyre Limit	11,600 kg		

WHEELS & TYRES

Wheel type	Eight stud tubeless disc wheel (JIS type) PCD 285
Rim size	7.5 x 22.5 offset 162mm
Tyre size	11R 22.5 16 ply
Number of tyres	Seven
Spare tyre carrier	Equipped

FUEL TANK

Capacity	200L
Type	All steel round
Fuel pre-filter & sedimenter	Equipped
Lockable cap	Equipped

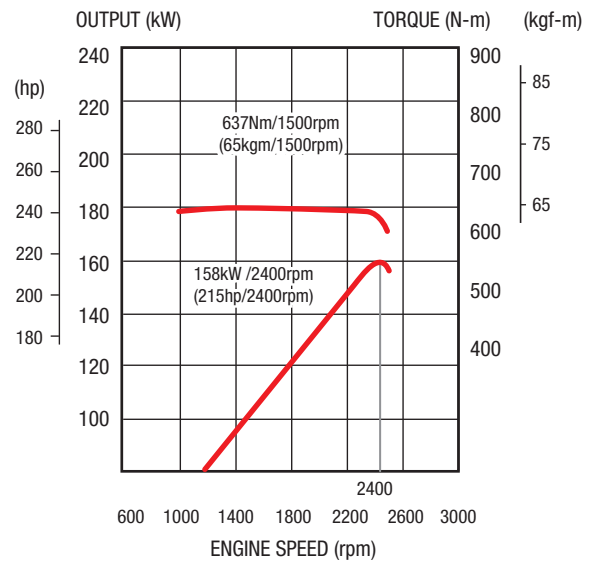
GT 1322

Cab, Instrumentation & Chassis

POWER & TORQUE CHART (ISO NET) J08E-VE

CAB DETAILS

Type	Forward control, all-steel construction with Electro Hydraulic Power Tilt	
Drivers SRS Airbag	Equipped	
Seating capacity	Seven (Crew) Three (Single Cab)	
Driver's seat	ISRI 6860/870 with Urethane foam pads, high-back, lumbar support, Multi adjustable, air suspended, with integrated safety belt	
Side passenger's seat	Urethane foam pads, high-back & reclining seat with fabric cover and under-tray (air suspension on Single Cab)	
Centre passenger's seat	Urethane foam pads & foldaway type with seat back tray, fabric cover	
Rear passenger's seats (Crew Only)	Urethane pads with high back, fabric cover	
Seat belts	Front	3-point type on driver's and side passenger's seat 2-point type on centre passenger's seat
	Rear (Crew Only)	3-point type on driver's and side passengers' seat 2-point type on centre passenger seats
Sun visor & overhead console	For front driver & passenger sides	
Windshield wipers	Electric, dual, intermittent & 2-speed	
Ventilator	Forced type by electric blower	
Rear view mirrors	Heated & electric, two flat, two convex spotters	
Cigarette lighter 24V	Equipped	
Floor mat	Vinyl type	
Central locking	STD (optional delete)	
Immobiliser	Equipped	
Heater & defroster	Standard	
Air conditioner	Standard	
Trim	Full trim type (side, roof and back)	
Cab pockets	Equipped on both front door sides	
Power windows	STD (optional delete)	
Audio/visual display	DAB+ AM/FM radio with CD & DVD player and Bluetooth	
Speakers	Driver & passenger sides	
Foot rest	Equipped	
Cup holder	Equipped	
Cruise control	Equipped (single cab only)	



INSTRUMENTS

1. Meters & gauges Speedometer with trip meter Odometer Tachometer Fuel gauge Coolant temperature gauge Air pressure gauge	3. Warning, pilot lamps & buzzers Oil pressure warning lamp & buzzer Air pressure warning lamp & buzzer Engine over-run warning buzzer Coolant level warning lamp & buzzer Brake fluid level warning lamp & buzzer Brake adjustment warning lamp & buzzer High beam indicator lamp Turn signal indicator lamp Parking brake indicator lamp Seat belt warning lamp & buzzer Exhaust brake indicator lamp Engine control system warning lamp Hazard indicator lamp Back-up warning buzzer Speed limiter warning indicator lamp
2. Switches One-key starting-stopping Lighting Directional indicator, dimmer & passing Wiper and washer Hazard lamp Exhaust brake Map lamp Fog lamp DPR regeneration Mirror controls 4x4 engage Low/high range engage	4. Others Idle up control knob Horn button 12V electric source (harness type)

ELECTRICAL

Type	24V, negative earth	
Batteries	2 x 12V, series-connection. Capacity 120Ah (140Ah for Crew Auto) at 20-hour rate	
Alternator type	Brushless with built-in rectifier and voltage regulator	
Capacity	24V, 90A (100A for Crew Auto)	
Starter	24V, 4.5kW	
Headlamps	Halogen type including fog lamps	
High/low beam	Equipped	
Fluorescent reading lamp	Equipped	
Electric horn	Equipped	

STEERING

Type	Telescopic & tilt steering column with locking device. Recirculating ball with Integral Power Steering	
Gear ratio	19.05:1	
Steering angle	Inside: 32° 35'	Outside: 28°
Electric horn	Equipped	

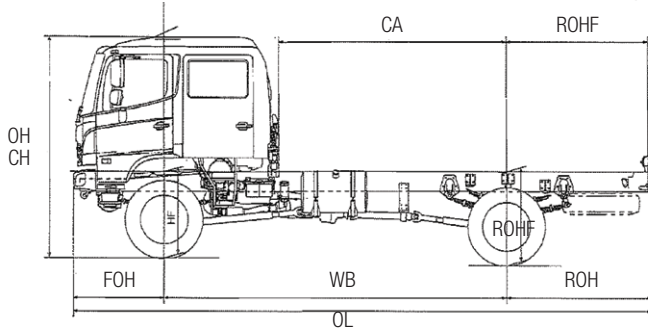
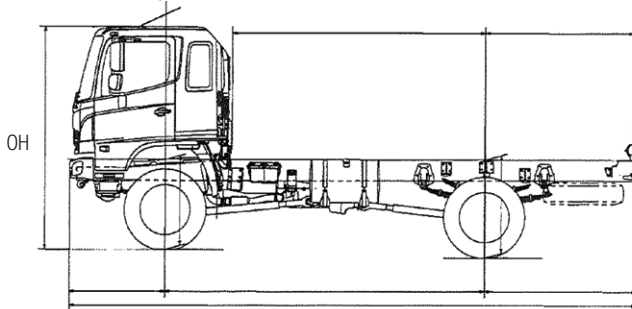
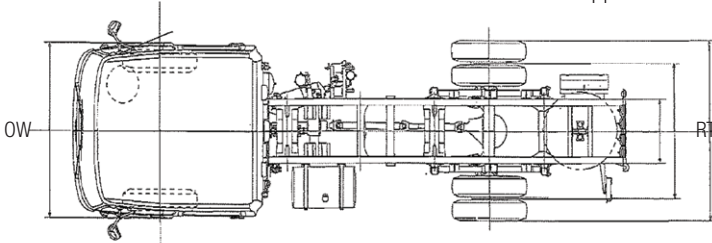
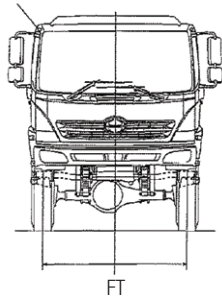
CHASSIS FRAME

Type	Ladder-shaped channel section side rails	
Rear chassis width	870mm	
Max. section (depth x flange x thickness)	270 x 90 x 8.0mm	
Tensile strength	540N/mm ² {55 kgf/mm ² }	
Hooks	Equipped for front and rear	
Chassis step	Equipped	

GT 1322 Dimensions

500 Series

DIMENSIONS – mm/capacities



Model	GT1322					
	Single			Crew		
Wheelbase Variant	Medium		Long		Medium	Long
Transmission	Manual	Auto	Manual	Auto	Manual	Manual
Model Code	GT8JHMA-AGU	GT8JJMA-CGU	GT8JKMA-AGU	GT8JKMA-CGU	GT8JMF-CUU	GT8JKMA-AUU
Wheelbase (WB)	4,100	4,250	4,650	4,250	4,650	4,650
Overall Length (OL)	7,310	7,460	7,860	7,460	7,860	7,860
Overall Width (OW)	2,420					
Overall Height (OH)	2,845	2,850	2,845	2,850	2,975	
Cab to Rear Axle Centre (CA)	3,240	3,425	3,790	3,825	2,700	3,100
Front Overhang (FOH)	1,235					
Rear Overhang (ROH)	1,975	1,930	1,975	1,930	1,975	1,975
Front Chassis Height (FCH)	1,130	1,135	1,130	1,135	1,125	1,130
Rear Chassis Height (RCH)	1,220	1,230	1,220	1,230	1,245	1,220
Road Clearance (RC)	255					
Front Track (FT)	1,930					
Rear Track (RT)	1,825					
Turning Circle Kerb to Kerb	18,800	19,400	21,000	19,400	21,000	21,000
Wall to Wall	20,200	20,800	22,400	20,800	22,400	22,400
Approach angle @ GVM	39°					
Departure angle @ GVM	27°					
Indicative Chassis Mass – kg (10 litres of fuel and spare tyre and subject to a ± 3% tolerance)						
Total	4,950	5,075	4,995	5,110	5,400	5,245
Front	3,110		3,165		3,335	3,360
Rear	1,840	1,965	1,830	1,945	2,065	1,885
GVM	13,000 with up to 13,900 on application approval					
GCM	21,000	OA*	21,000	OA*	21,000	
Optional GVM de-ratings of 12,000kg & 8,000kg on application						
OA* for AUTO models GCM ratings are issued on application						

GENUINE ACCESSORY OPTIONS

Bull bar	GPS Satellite Navigation
Stoneguard	External Vision Cameras (up to 3)
Sunvisor	LED Driving Lights
Seat Covers	Hino Traq (Telematics)
Floor Mats	Engine Driven PTO **, **
Dash Mats	1:0.72 step down
Weather Shields	1:1.08 step-up

*Not available with Crew Auto model with Flywheel PTO

**For Crew Long Manual model, modifications are required to the air inlet system

WARRANTY

New vehicle warranty period

Medium Duty Model	Axle configuration	Standard warranty (whichever comes first)	Cab corrosion perforation
500 GT 1322 4 x 4	4 x 4	3 years or 150,000km	36 months

Battery warranty – 12 months from date of delivery

* For conditions, refer to the Hino Parts & Service warranty brochure

Genuine parts or accessories warranty – 3 years unlimited kilometres when fitted by an authorised Hino dealer *



DISCLAIMER

Important notice. Hino Trucks are distributed in Australia by Hino Motor Sales Australia Pty Ltd A.C.N. 064 989 724.

All efforts have been made to ensure the information contained in this brochure was correct at time of printing or uploading. Hino Motor Sales Australia Pty Ltd reserves the right to alter any details of the specifications & equipment without notice. Hino in so far as it is permitted by law to do so, shall not be liable in any way as a result of any reliance placed by any person on anything contained in this brochure. You should therefore check with your authorised Hino dealer at the time of ordering your motor vehicle to ensure that colour, specifications, equipment, design features & options are available for the vehicle you are ordering. Please note that some options may only be available in combination with others. Authorised Hino dealers will on request provide up to date information on all accessories, design features, prices & availability.

HS500GT1322CREW-08/17