

HINO

FG 1628 CREW

500 Series



* Illustration may contain items not standard to the model

ADR 80/03 Model
4 x 2 Crew Cab Chassis

KEY FEATURES

- 7 Seat Capacity: 3 front, 4 rear
- 4 Door with Electric Windows
- Vehicle Stability Control (VSC) with ASR
- Polished Aluminium Wheels
- Cruise Control
- Reverse Camera
- Drivers SRS Airbag
- Heated & Electrically Operated External Mirrors
- ISRI 6860/870 Drivers seat with integrated Safety Belt

KEY SPECIFICATIONS

GVM	16,000kg
GCM	32,000kg
Power	280hp/206kW
Torque	883Nm
Transmissions	Six-speed Allison Automatic
Nominal Wheelbase	5.5m*
Max. Nominal Body Length#	7.1m*

*See back page for exact dimensions



FG 1628 Crew

Engine & Driveline Specifications

ENGINE

Model	J08E-WA
Max. Output (ISO Net)	280hp/206kW @ 2,500 RPM
Max. Torque (ISO Net)	883Nm @ 1,500 RPM
Max. Engine Speed	2,700 RPM
Engine Compliance	ADR 80/03 using Euro 5 STD
Type	Turbocharged & Intercooled, 6 cylinder in-line, overhead camshaft & fluid cooled
Combustion System	Direct Injection
Bore & Stroke	112 x 130mm
Piston Displacement	7.687L
Compression Ratio	18.0:1
Fuel Injection System	Electronic control common-rail type
Air Intake System	Stack-type
Air Cleaner	Dual paper elements
Air Compressor	Single cylinder, fluid cooled 85 x 40mm
Fan Clutch	Equipped
Exhaust	Horizontal
Emission Control System	Selective Catalytic Reduction (SCR)
Engine Immobilizer	Equipped

TRANSMISSION & GEAR RATIOS

Make & Description	Automatic	
	Allison 3000 series 6 speed with Electronic Control	
Type	Double Overdrive	
Gear Ratios	1	3.487
	2	1.864
	3	1.409
	4	1.000
	5	0.750
	6	0.653
	Rev	5.027
Torque convertor & Ratio	TC 415	2.35
Rear axle Ratio	6.428	

PERFORMANCE

Calculations based on 16.0 t GVM with 11R22.5 drive tyres	
Transmission	Automatic
Engine RPM @ 100 km/h	2,200
Max theoretical speed (km/h)	122
Gradeability tan θ (%) @ GVM	60
Speed limited to (km/h)	100

BRAKES

Type	Full Air, dual circuit, "S"cam
Drum & Lining sizes	Front : 410 x 150mm
Diameter x Width	Rear : 410 x 220mm
Auto adjusters	Equipped
Vehicle Stability Control (VSC)	Equipped
Anti-lock Braking System (ABS)	Equipped
Anti-Slip Regulator (ASR)	Equipped
Air Dryer	Equipped
Park Brake	Spring Brake acting on rear wheels
Exhaust Brake	Equipped

AXLE, SUSPENSION & LOAD LIMITS

FRONT	Front Axle Model	MF 781R	
	Type	I-Beam, Reverse Elliot	
	Suspension	Taper leaf springs with shock absorbers & stabiliser	
	Spring Dimensions Length x Width x Thickness x Number	1,525 x 80 x 19mm x 1 1,525 x 80 x 20.5mm x 3	
	Spring Rate	32.4 kgf/mm	
	Axle Limit (including suspension)	6,500 kg	
	Tyre Limit	6,900 kg	
	Rear Axle Model	SH16	
REAR	Type	Fully floating, single reduction, hypoid	
	Suspension	Semi-elliptic Multi Leaf	
		Main	Auxiliary
	Spring Dimensions Length x Width x Thickness x Number	1,400 x 90 x 12 x 4 1,400 x 90 x 13 x 6	900 x 90 x 10 x 10
	Spring Rate	53.6 kgf/mm	101.1 kgf/mm
	Axle Limit (including suspension)	10,000 kg	
	Tyre Limit	10,900 kg	

WHEELS & TYRES

Material	Polished Aluminium
Wheel type	10-stud disc (ISO) 335 PCD
Rim size (in)	22.5 x 8.25 – 165mm offset
Tyre size	Front: 295/80R22.5 152/148 Rear: 11R22.5 148/145
Number of tyres	7
Spare Tyre Carrier	Equipped

FUEL TANK

Material	Aluminium
Capacity	390L
Lockable cap	Equipped
Pre Filter & sedimenter	Equipped
AdBlue® tank capacity	59L

STEERING

Type	Telescopic & tilt steering column with locking device. Recirculating ball with internal Power Steering
Steering Angles	Inner 49°
	Outer 34°



FG 1628 Crew

Cab, Instrumentation & Chassis

CAB DETAILS

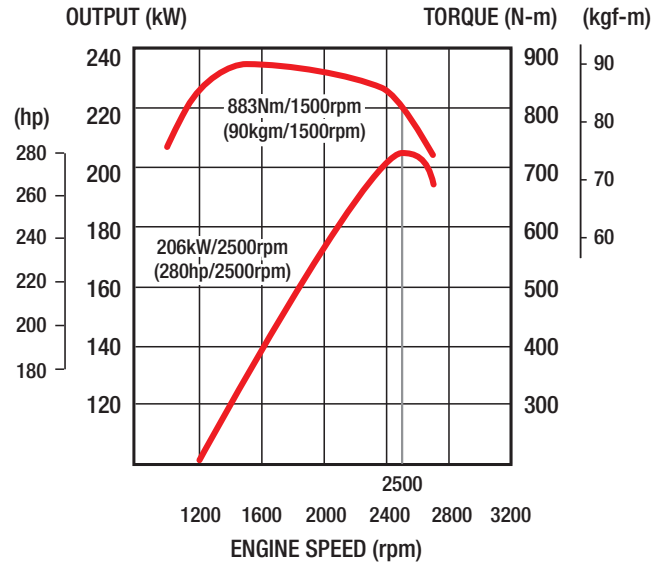
Type	Forward control, all-steel construction mounted on full floating coil spring suspension with electro hydraulic tilt mechanism
Drivers SRS Airbag	Equipped
Seating capacity	Seven
Driver's seat	ISRI 6860/870 with urethane foam pads, high-back, lumbar support, multi adjustable, air suspended, with integrated safety belt
Side passenger's seat	Urethane foam pads, high-back & reclining seat with fabric cover, air suspension
Centre passenger's seat	Urethane foam pads & foldaway type with seat back tray, fabric cover
Rear passenger's seat	Fixed bench type
Seat belt	3-point type on driver's & side passenger's seat 2-point type on centre passenger seats
Sun visor and overhead console	For driver & front passenger sides
Windshield wipers	Electric, dual, intermittent & 2-speed
Ventilator	Forced type by electric blower
Rear view mirrors	External: Electric Control & heated flat type, Convex spotters both sides and Left side kerb view
12V/120w Socket	Equipped
Floor mat	Vinyl type
Central locking & keyless entry	Equipped with immobilizer
Heater and defroster	Standard
Air conditioner	Standard
Trim	Full trim type (side, roof & back)
Cab pockets	Equipped on both front doors
Power windows	Equipped
Multi media system	6.5" LCD, HD touch screen display with DAB+ AM/FM radio, AUX input, Bluetooth® 4.1, Android 6.0 CANBUS connection and Wi-Fi enabled
Speakers	Driver & front passenger sides
Foot rest	Equipped
Cup holders	Equipped
Cruise control	Equipped
Reverse camera	Equipped

ELECTRICAL

Type	24V, negative earth
Batteries	12V x 2, series connection, 120 Ah
Alternator Type	Brushless, with built-in regulator
Capacity	24V, 90 Amp
Starter Type	24V, 5.0 kW
Headlamps	Halogen type with manual levelling
High/low beam	Equipped
LED Fog Lamps (white)	Equipped
Fluorescent Reading Lamp	Equipped
Electric air horn	Equipped

POWER & TORQUE CHART (ISO NET) J08E-WA

J08E-WA



INSTRUMENTS

Meters	Additional Switches & Controls
Speedometer	External flat mirror Control
Tachometer	Idle up Control
LCD Gauges	Quick warm up switch
Air pressure (2)	VSC/ASR off switch
Fuel	Headlight Levelling
AdBlue®	Fog Lamp
Engine Temperature	
Odometer plus trip meter	
Multi Information Display (MID)	
Fuel Consumption	
Service reminders	
Warnings	
Faults	

CHASSIS FRAME

Type	Ladder-shaped channel section side rails with Grid hole design
Chassis outer width (at rear)	840mm
Main section (mm) (Depth x flange x Thickness)	277 x 80 x 8.0
Tensile strength	620 N/mm ² (63 kgf/mm ²)
Front Underrun Protection (FUP)	Equipped
Front and rear tow hook	Equipped

GENUINE ACCESSORY OPTIONS

Bull bar	GPS Satellite Navigation
Stoneguard	External Vision Cameras (additional 3)
Sunvisor	LED Driving Lights
Seat covers	Hino Traq (Telematics)
Floor mats	*Engine driven PTO
Dash mats	1:0.72 step-down
Weather shields	or 1:1.08 step-up
	*Modification required to intake system

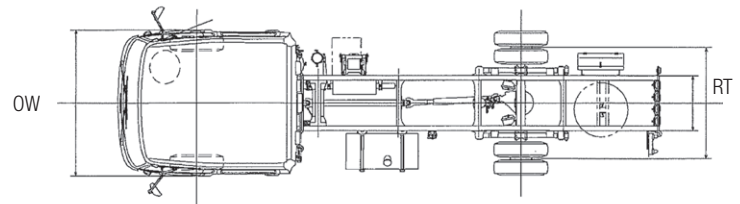
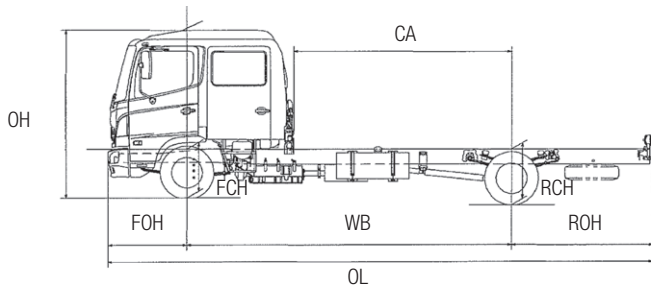
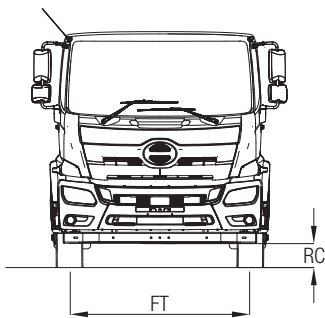
Please check with your dealer for price, availability & fitment for these options



FG 1628 Crew

500 Series

Dimensions



DIMENSIONS – MM/CAPACITIES

Model	FG 1628 CREW
Wheelbase variant	LONG
Transmission	AUTO
Model Code	FG8JP1A-WUU
Wheelbase (WB)	5,530
Max Nominal Body length # (WB x 0.6) + CA – 80)	7,190
Overall Length (OL)	9,445
Overall Width (OW)	2,490
Overall Height (OH)	2,760
Cab to Rear Axle Centre (CA)	3,955
Front Overhang (FOH)	1,280
Rear Overhang (ROH)	2,575
Front Chassis Height (FCH)	1,010
Rear Chassis Height (RCH)	1,050
Road Clearance (RC)	260
Front Track (FT)	2,050
Rear Track (RT)	1,835
Turning Circle Kerb to Kerb	18,600
Wall to Wall	20,200
Indicative Chassis Mass – kg (10 litres of fuel & spare tyre and subject to ± 3% Tolerance)	
Total	5,990
Front	3,733
Rear	2,257
GVM	16,000
GCM	32,000

ROH may need to be extended to suit body length and rear overhang is limited to 3.7m

WARRANTY

New vehicle warranty period

Medium Duty Model	Axle configuration	Standard warranty (whichever comes first)	Cab corrosion perforation
500 FG 1628 CREW	4 x 2	3 years or 150,000km	36 months

Battery warranty – 12 months from date of delivery

Genuine parts or accessories warranty – 3 years unlimited kilometres when fitted by an authorised Hino dealer *

* For conditions, refer to the Hino Parts & Service warranty brochure



DISCLAIMER

Important notice. Hino Trucks are distributed in Australia by Hino Motor Sales Australia Pty Ltd A.C.N. 064 989 724.

All efforts have been made to ensure the information contained in this brochure was correct at time of printing or uploading. Hino Motor Sales Australia Pty Ltd reserves the right to alter any details of the specifications & equipment without notice. Hino in so far as it is permitted by law to do so, shall not be liable in any way as a result of any reliance placed by any person on anything contained in this brochure. You should therefore check with your authorised Hino dealer at the time of ordering your motor vehicle to ensure that colour, specifications, equipment, design features & options are available for the vehicle you are ordering. Please note that some options may only be available in combination with others. Authorised Hino dealers will on request provide up to date information on all accessories, design features, prices & availability.

HSMY17FG1628CREW-1020