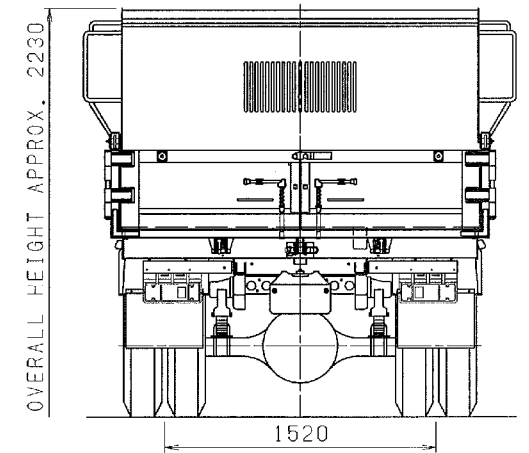
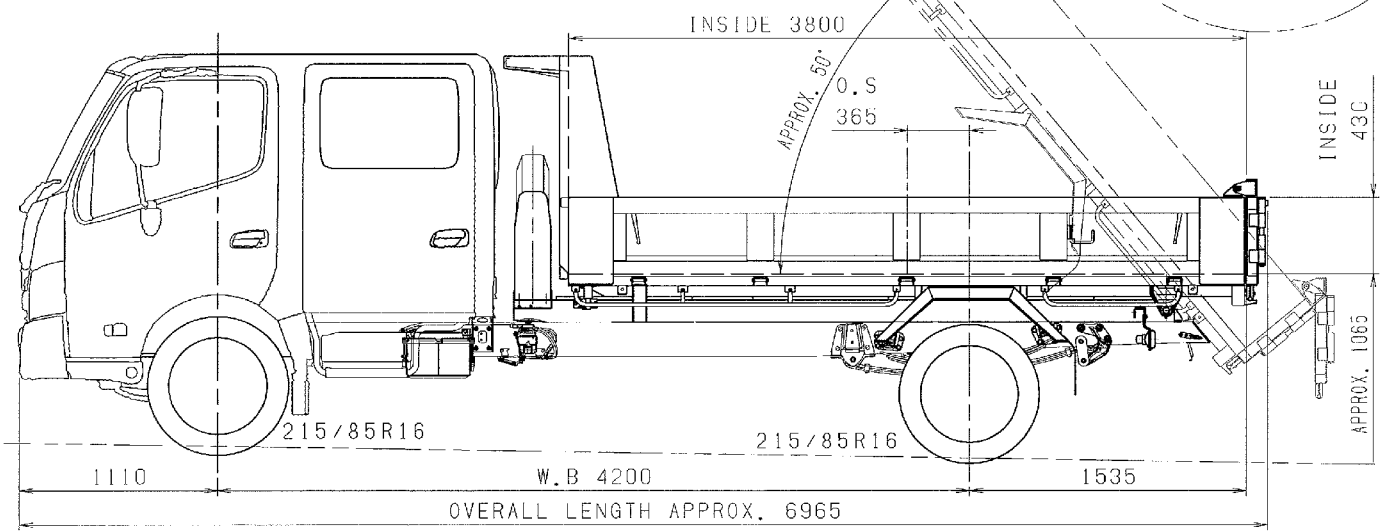


A-A SECTION

Description	Dimension	Material
1 Deck plate	t3.2	Mild Steel
2 Side plate	t2.3	Mild Steel
3 Deck frame	t4.0	Mild Steel
4 Spacer	□20x50	Plastic
5 Sub-frame	t4.0	Mild Steel

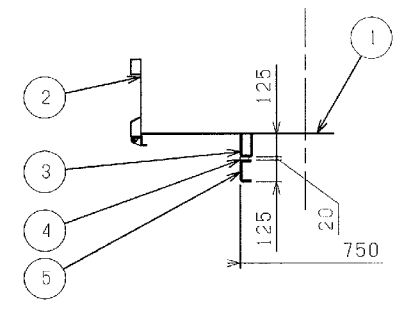
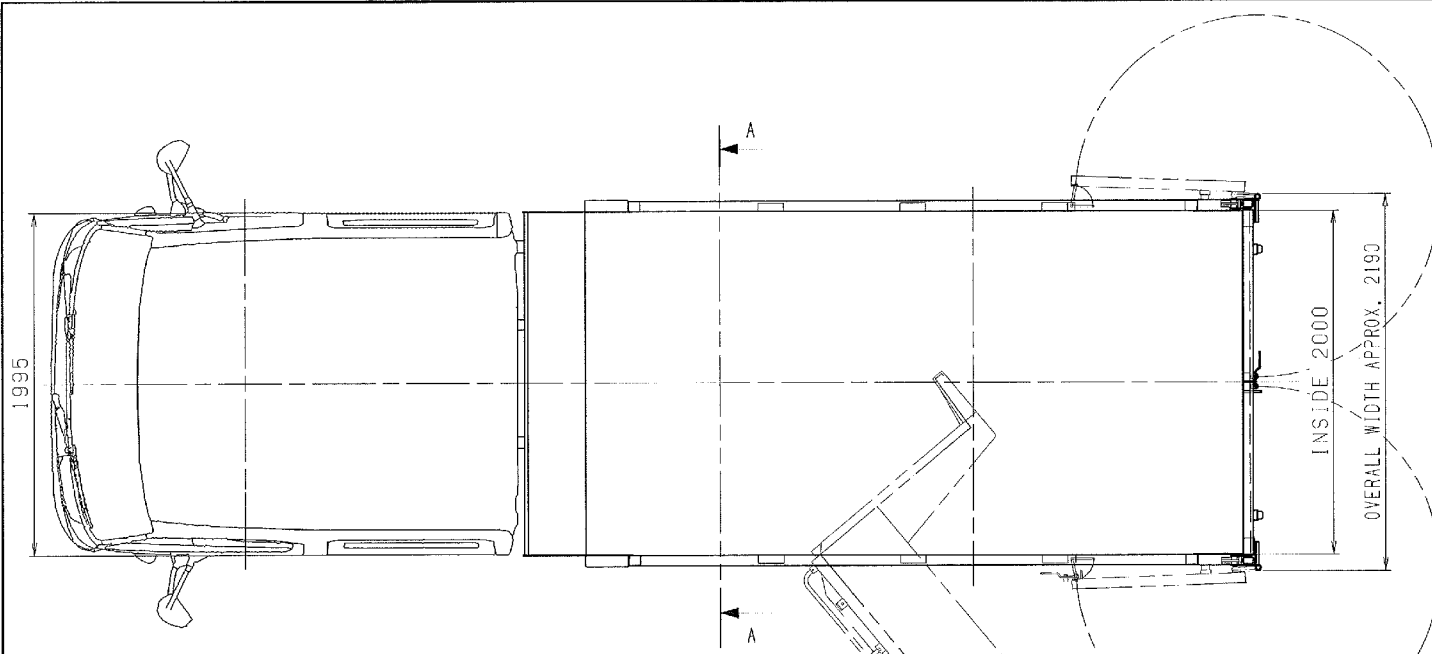


VOLUME (3.2 m³) 717 Crew Tipper

DRAWING No. IIDD-Y37964	REAR DUMP TRUCK(DROP SIDE)
DATE 2013. 2.26	CHASSIS MODEL XZU730R-QKFQTQ3

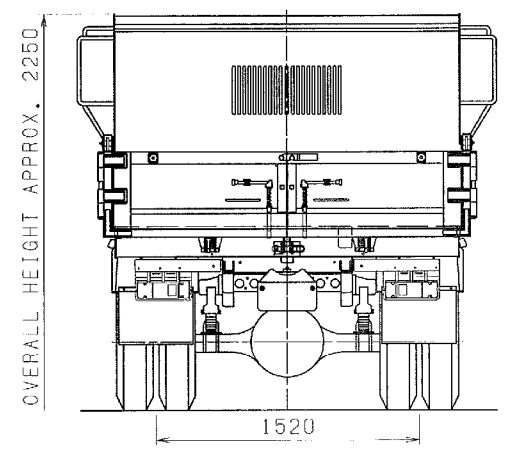
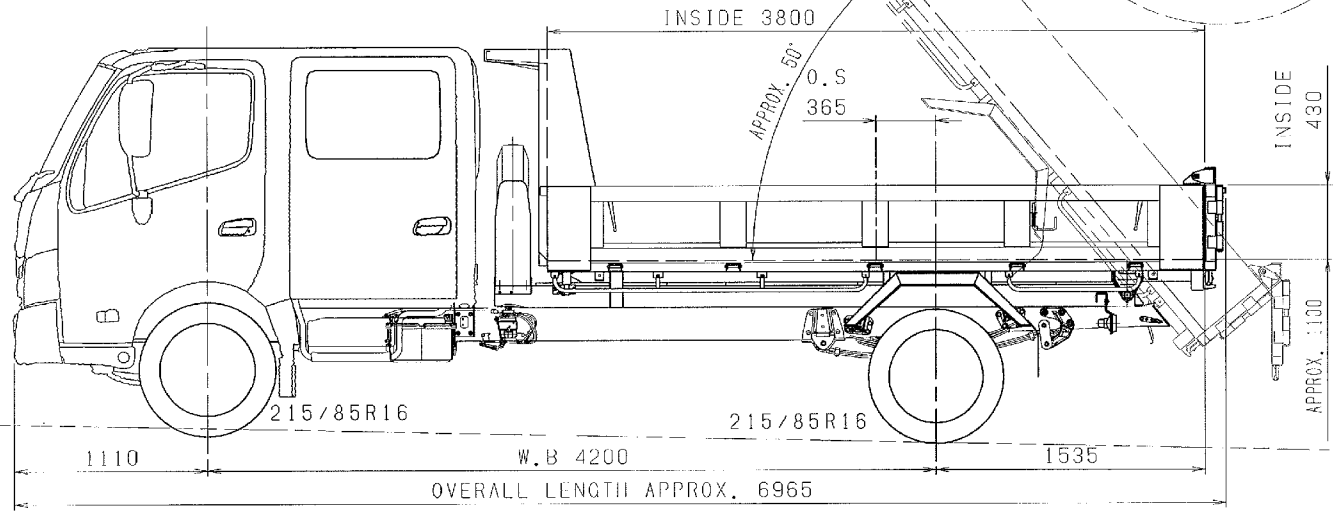


HINO MOTORS, LTD.



A-A SECTION

Description	Dimension	Material
1 Deck plate	t3.2	Mild Steel
2 Side plate	t2.3	Mild Steel
3 Deck frame	t4.0	Mild Steel
4 Spacer	□20x50	Plastic
5 Sub-frame	t4.0	Mild Steel

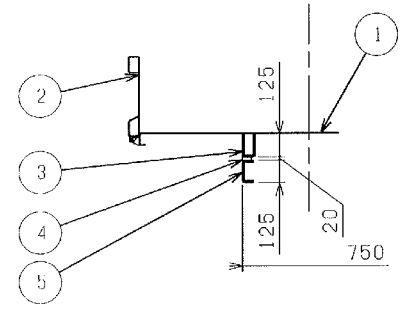
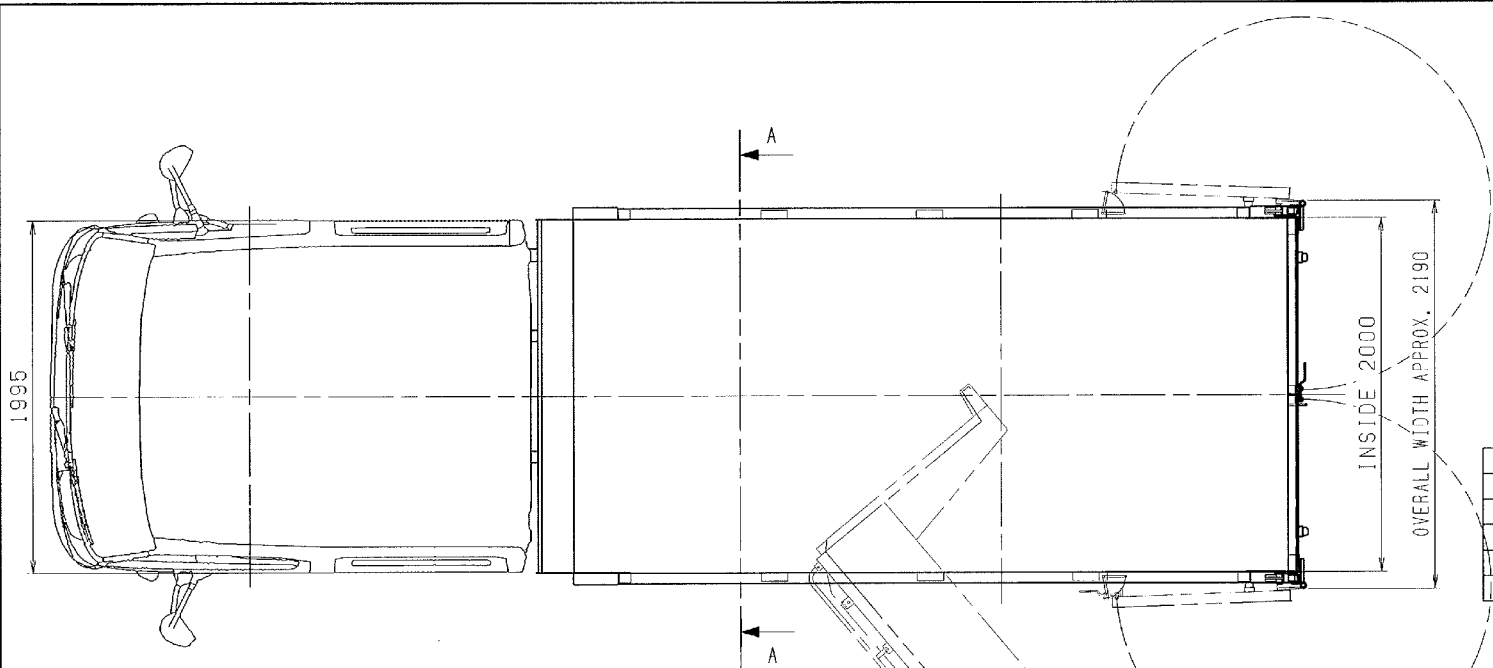


VOLUME (3.2 m³) 816 Auto Crew Tipper

DRAWING No.	HDD-Y37965	REAR DUMP TRUCK(DROP SIDE)
DATE	2013. 2.26	CHASSIS MODEL
		XZU730R-QKTRS03

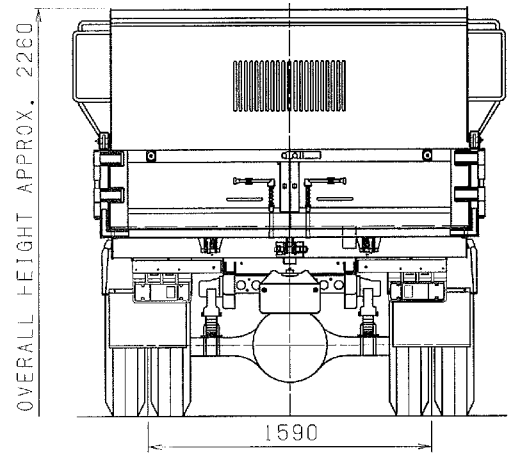
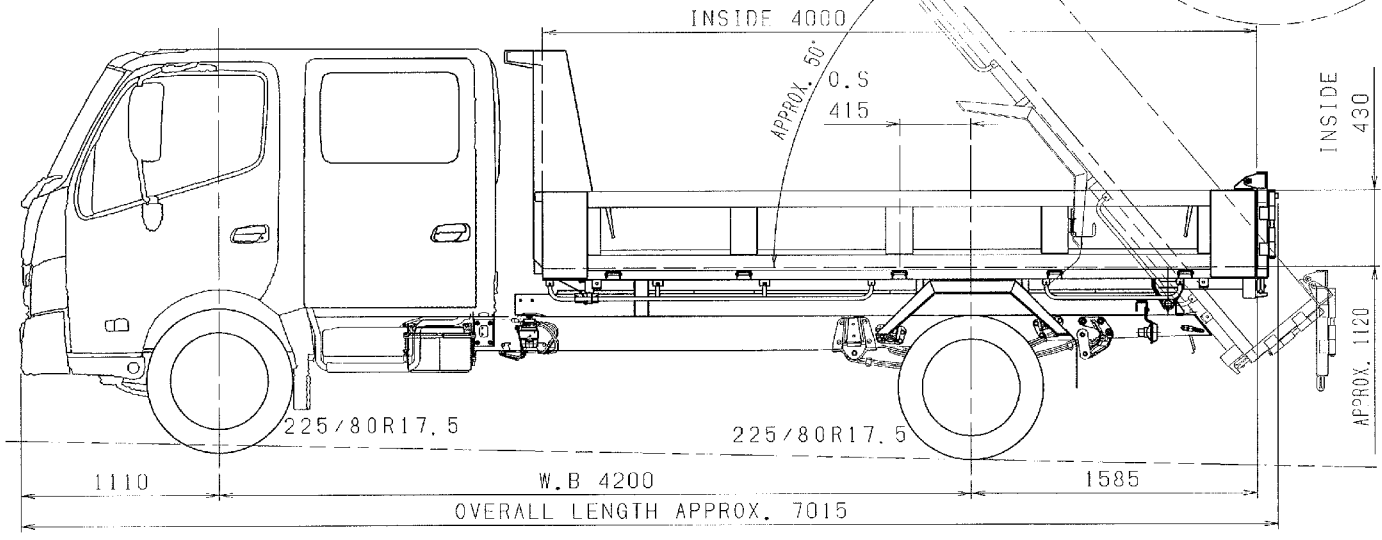


HINO MOTORS, LTD.



A-A SECTION

Description	Dimension	Material
1 Deck plate	t4.5	Mild Steel
2 Side plate	t3.2	Mild Steel
3 Deck frame	t6.0	Mild Steel
4 Spacer	□20x50	Plastic
5 Sub-frame	t4.0	Mild Steel



VOLUME (3.4 m³) 917 Crew Tipper

DRAWING No. HDD-Y37971	REAR DUMP TRUCK(DROP SIDE)
DATE 2013. 3. 7	CHASSIS MODEL XZU730R-QKFTTQ3



HINO MOTORS, LTD.