

Chapter 8

CHASSIS DRAWINGS

- 1. CAB DRAWINGS**
- 2. CAB BACK DRAWINGS**
- 3. CHASSIS DRAWINGS**

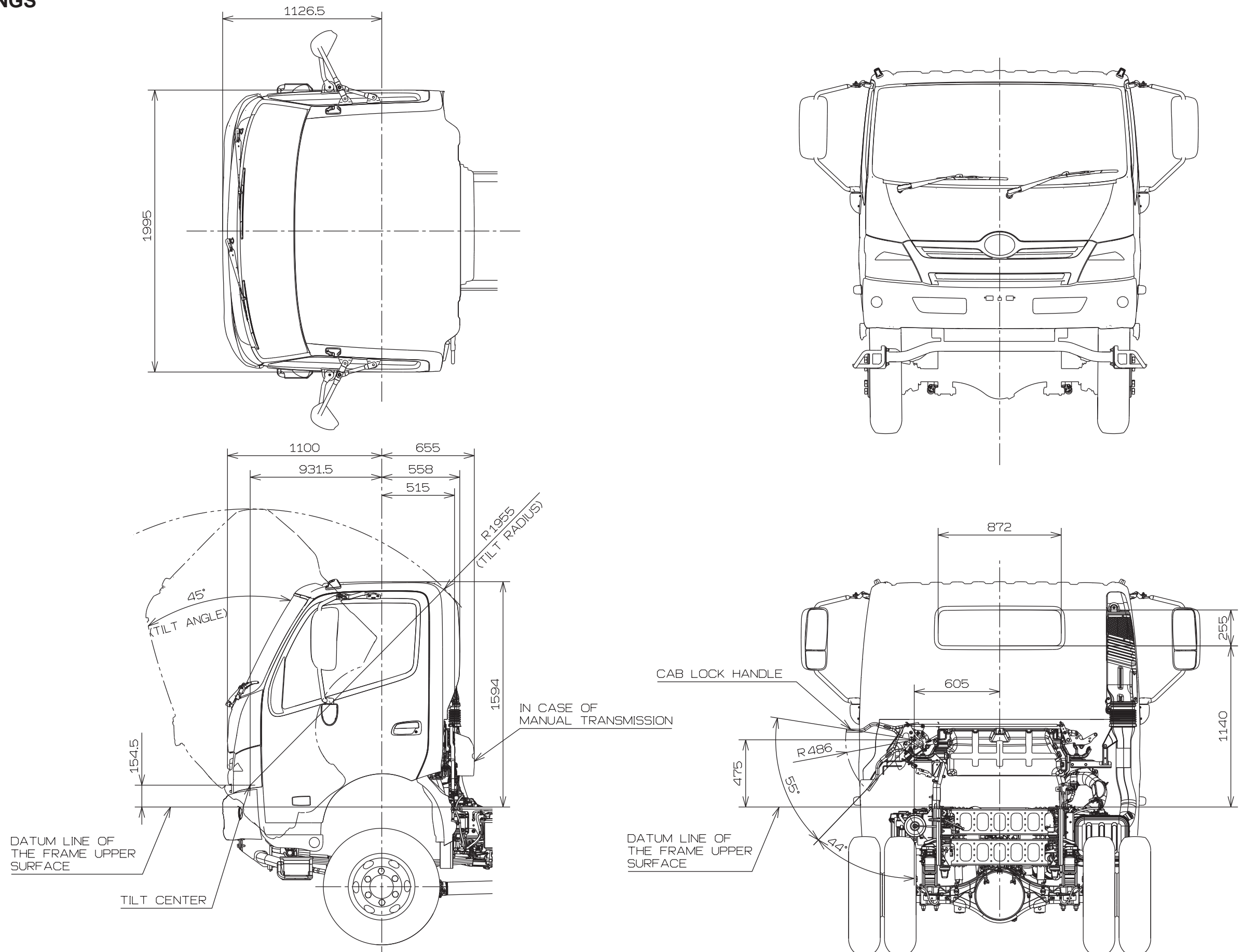
Refer to detail of the cab, cab back and chassis drawing based on following table.

MODEL	CHASSIS DRAWINGS		
	CAB	CAB BACK	CHASSIS
XZC810R-HKFRTQ3	C-1	CB-1	CH-1
XZC810R-QKFRTQ3	C-2	-	CH-2

1. CAB DRAWINGS

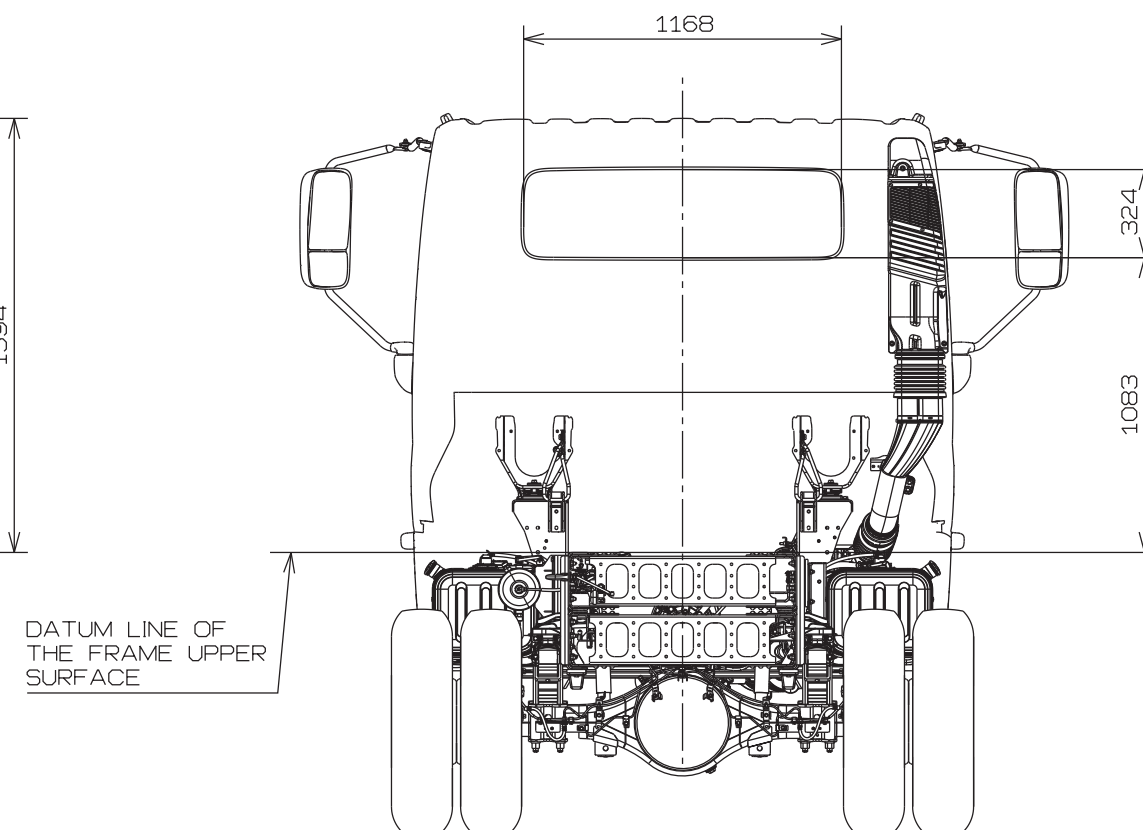
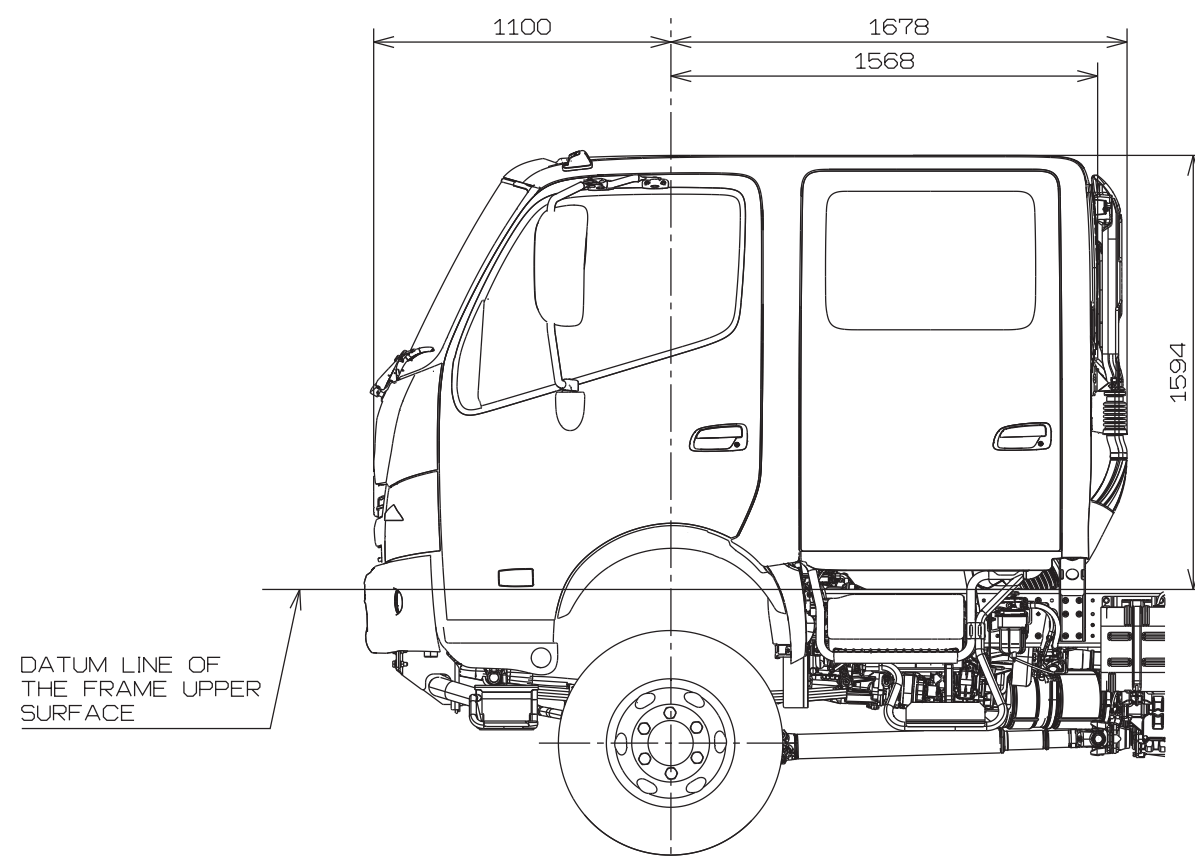
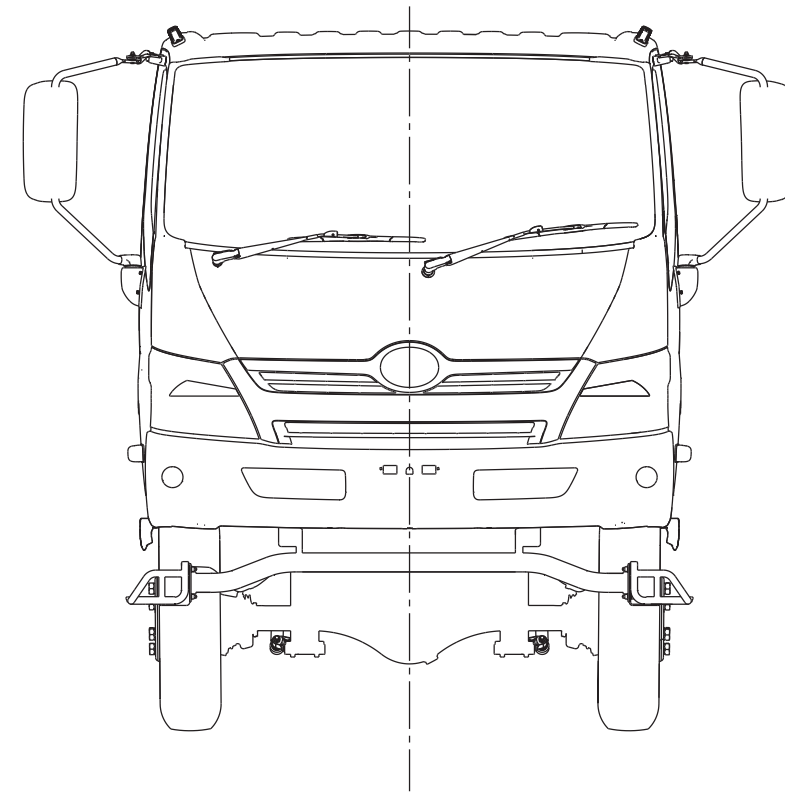
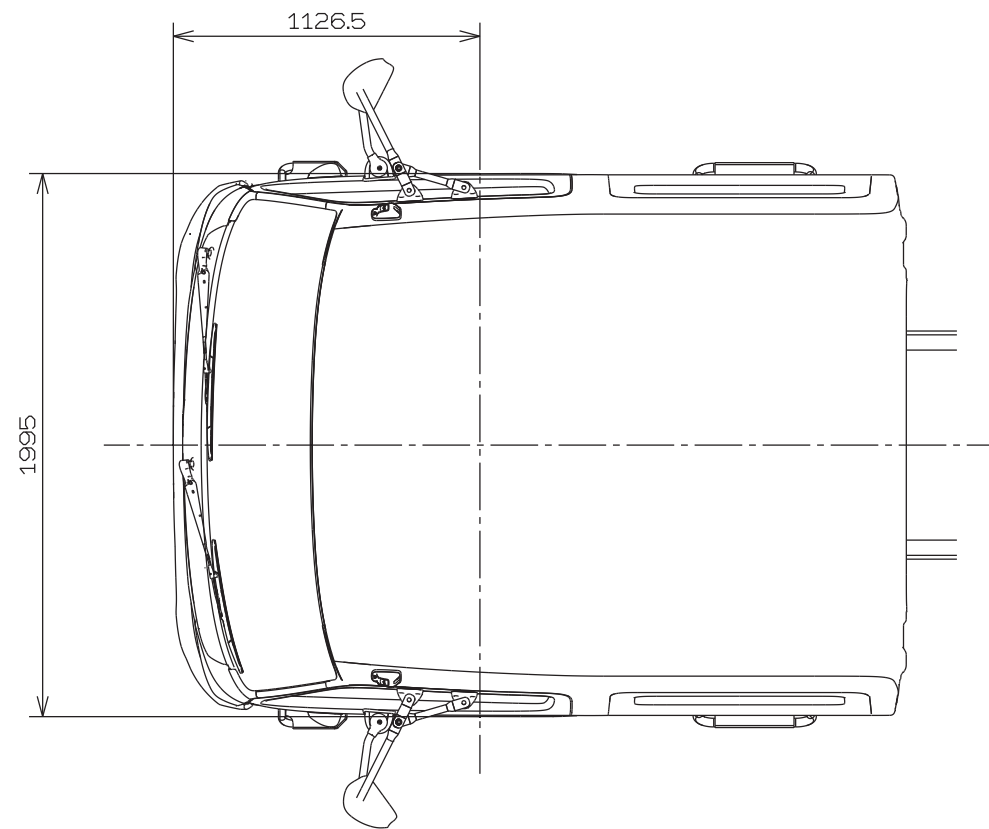
No. C-1

Unit : mm



No. C-2

Unit : mm

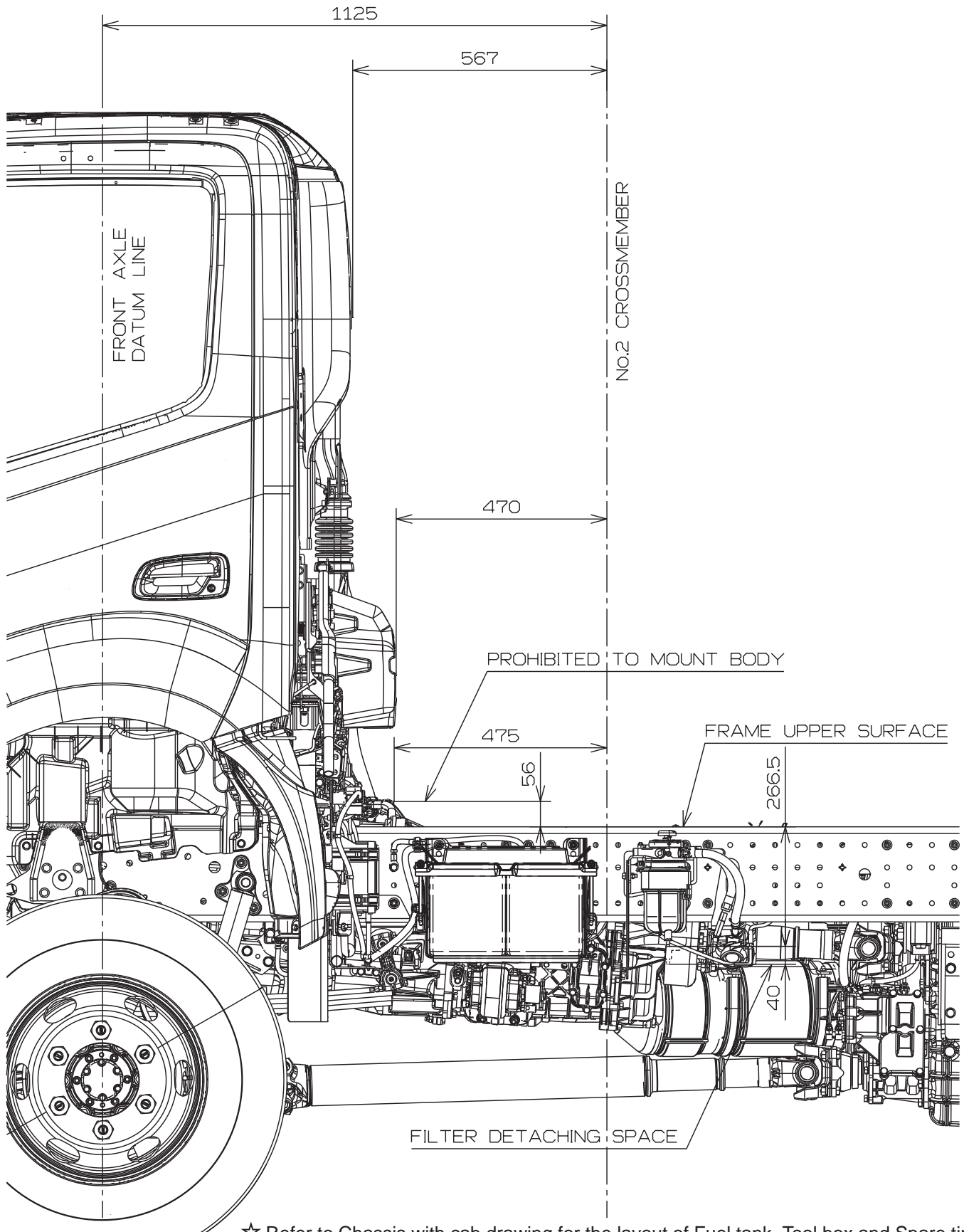


2. CAB BACK DRAWINGS

No. CB-1

Unit : mm

• Left view

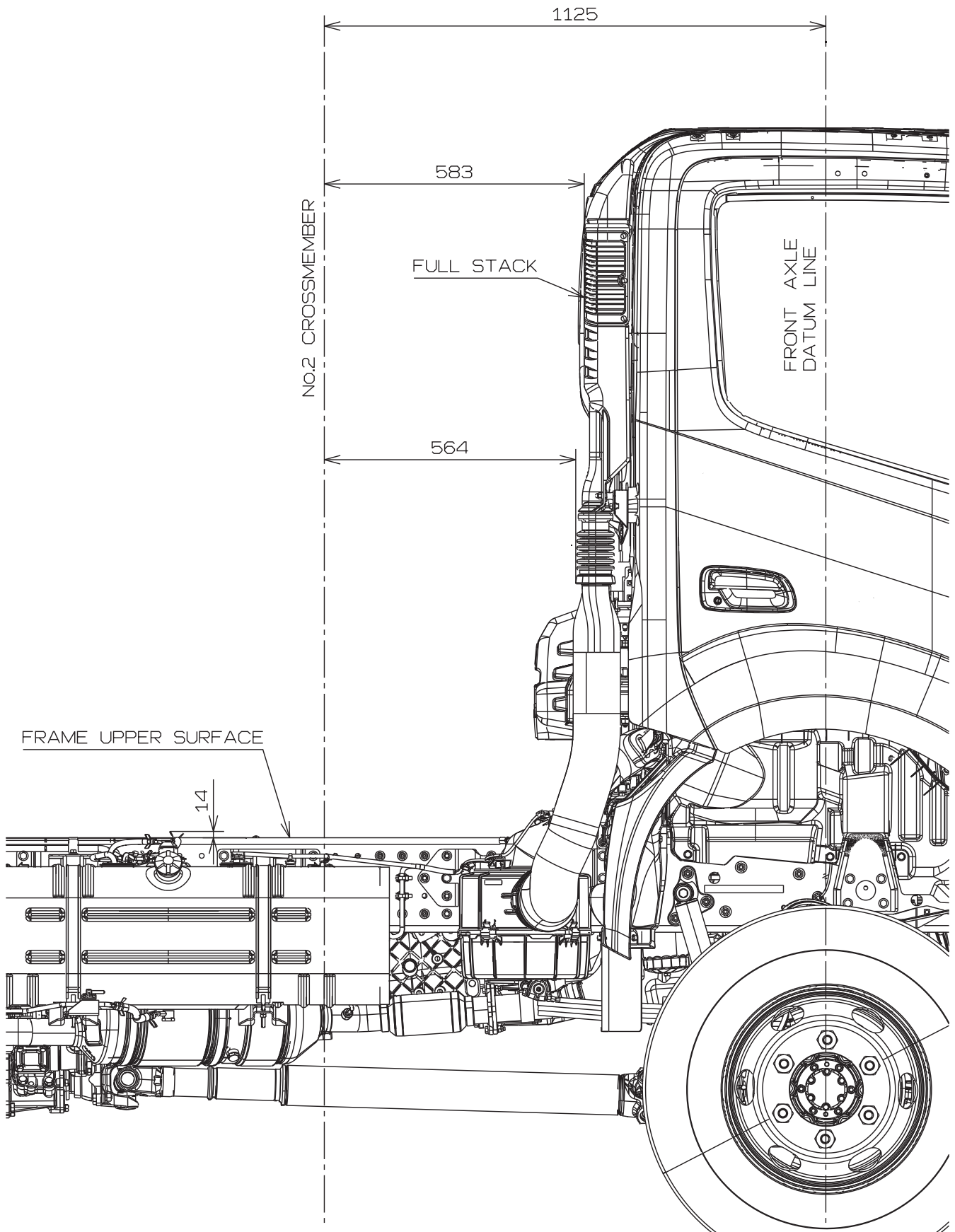


☆ Refer to Chassis with cab drawing for the layout of Fuel tank, Tool box and Spare tire.

No. CB-1

• Right view

Unit : mm

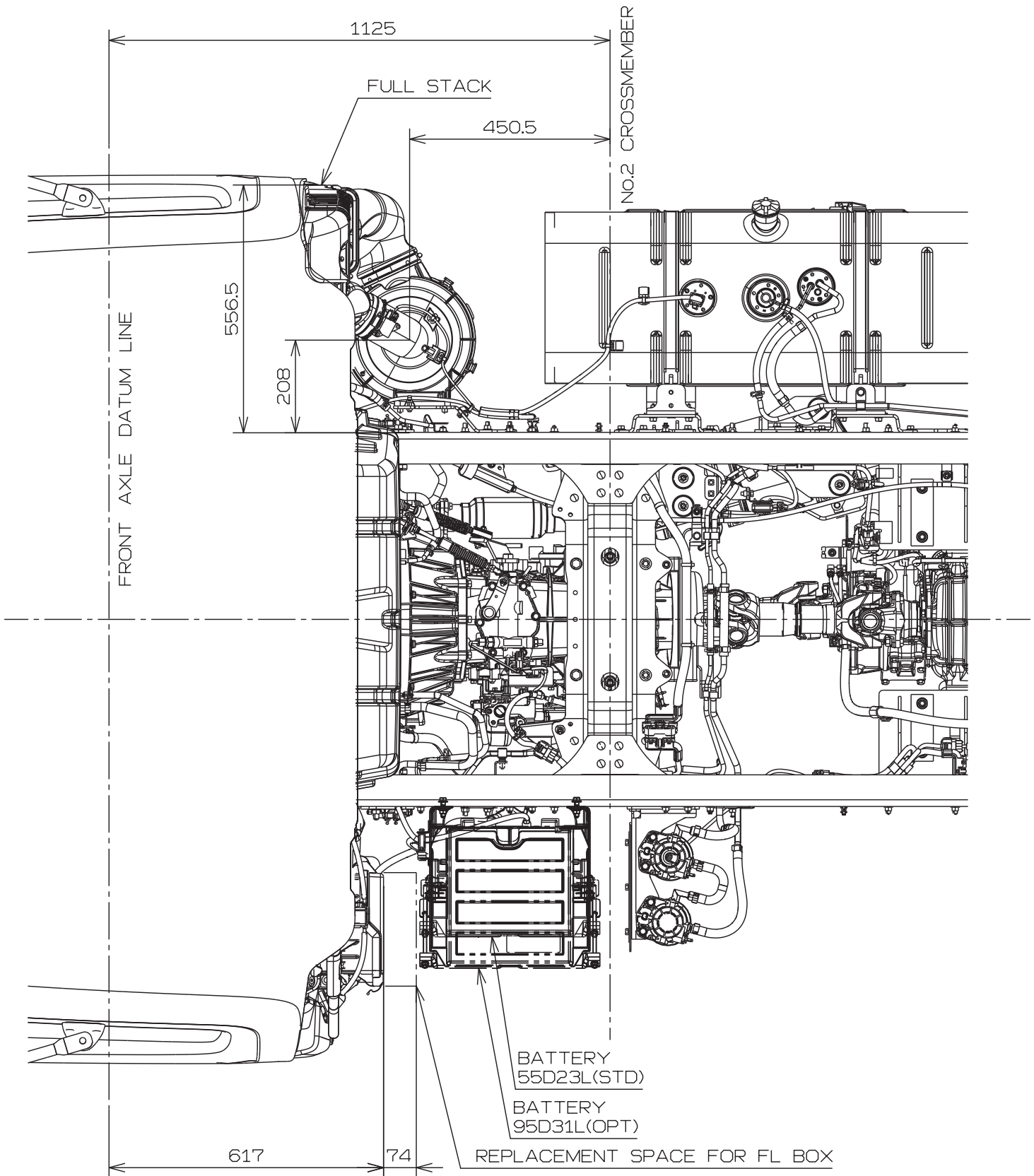


☆ Refer to Chassis with cab drawing for the layout of Fuel tank, Tool box and Spare tire.

No. CB-1

• Upper view

Unit : mm

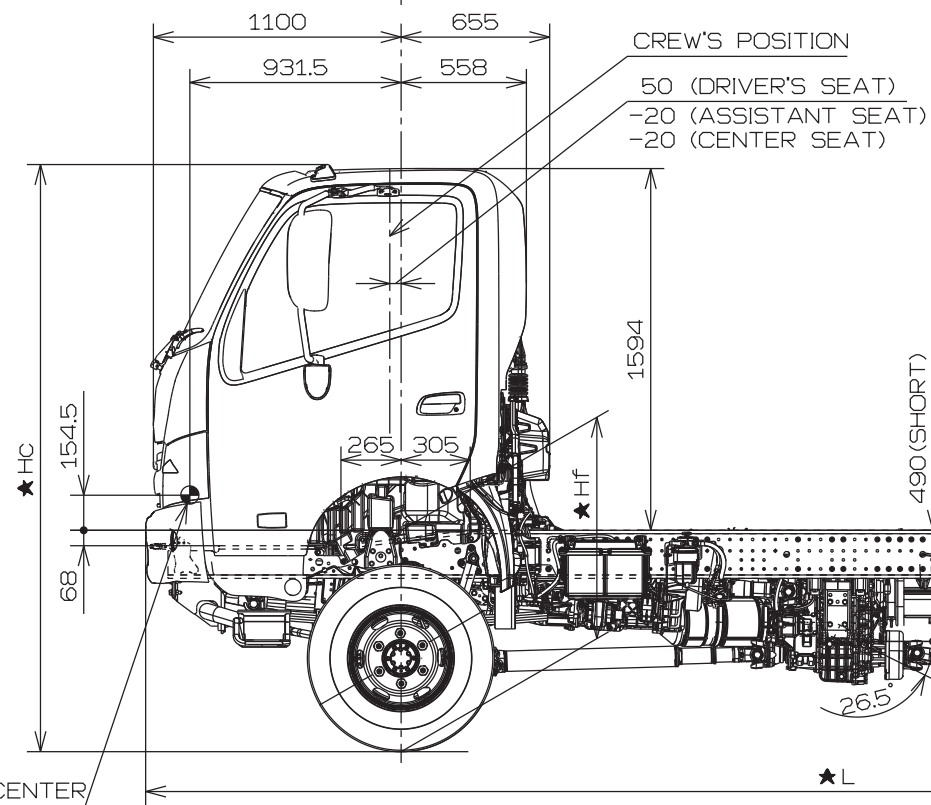
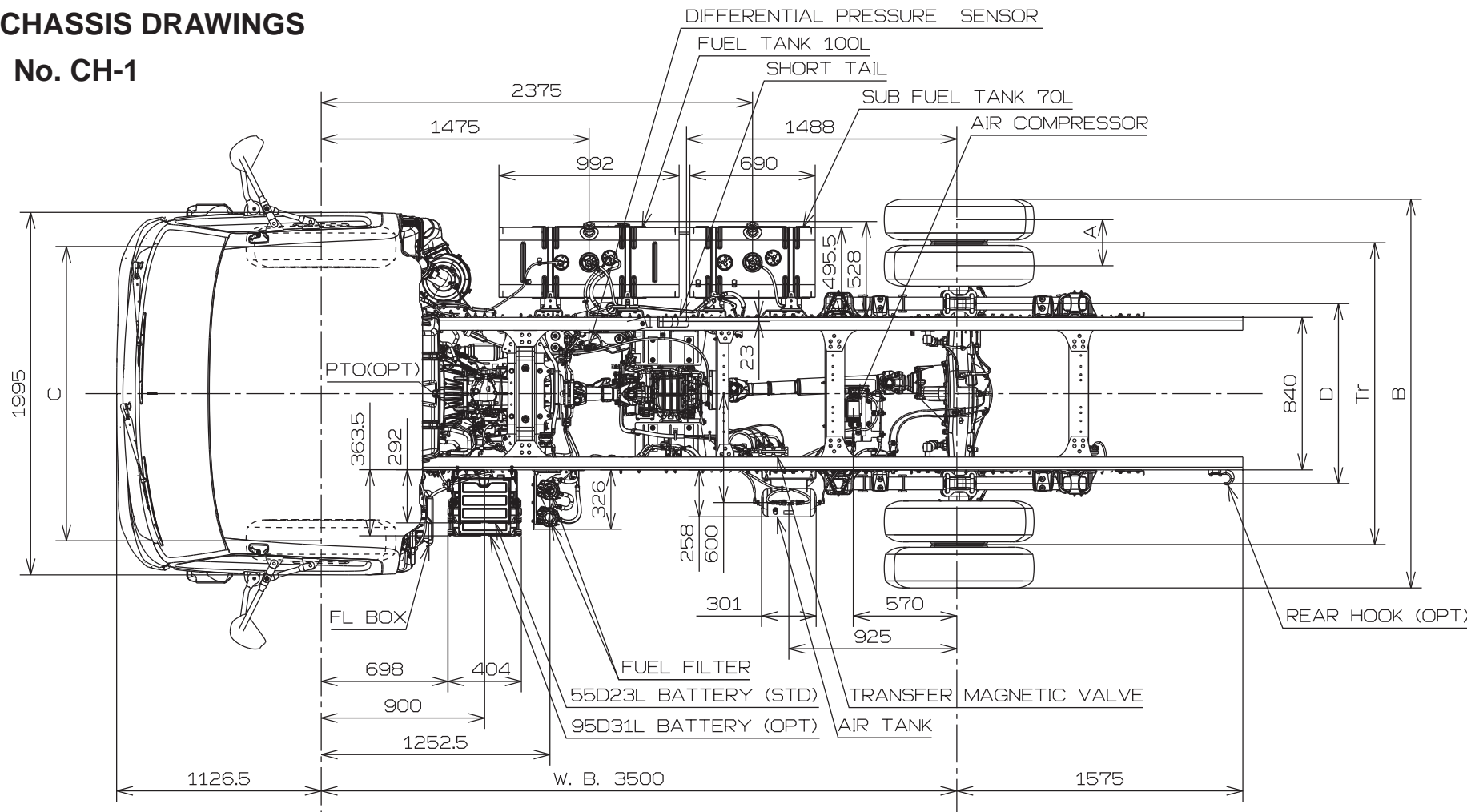


☆ Refer to Chassis with cab drawing for the layout of Fuel tank, Tool box and Spare tire.

3. CHASSIS DRAWINGS

No. CH-1

Unit : mm



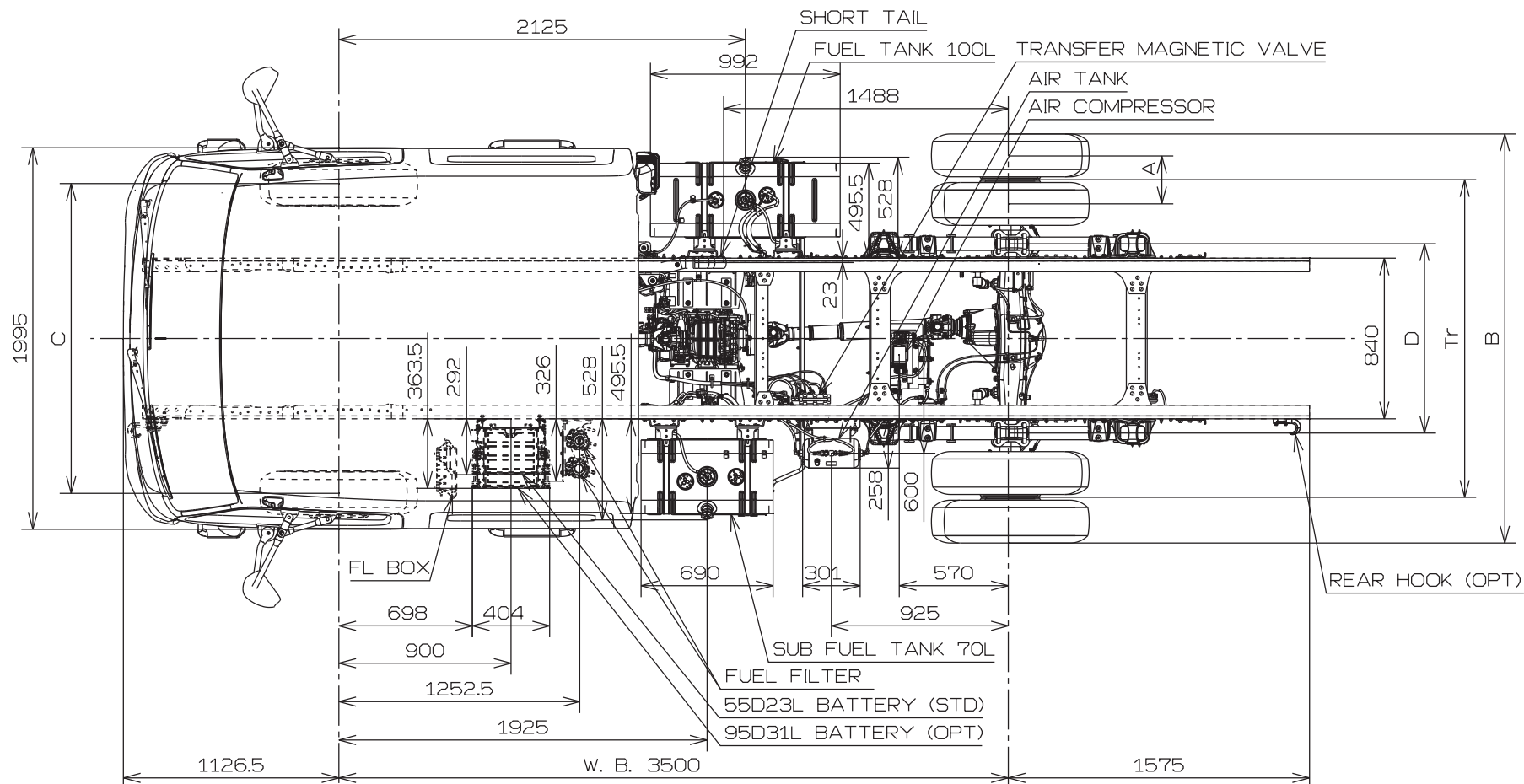
MODEL	TIRE SIZE	A	B	C	D	Tr	DETAIL OF ★L				★L	★Hc	★Hf	★Hr	★Hro
							FRAME	HOOK	SPARE TIRE	Rr. BUMPER					
XZC810R-HKFRTQ3	8.5R17.5-121/120	254	2131	1610	990	1660	6205	-	-	-	6205	2550	945	1026	1064

[NOTE]

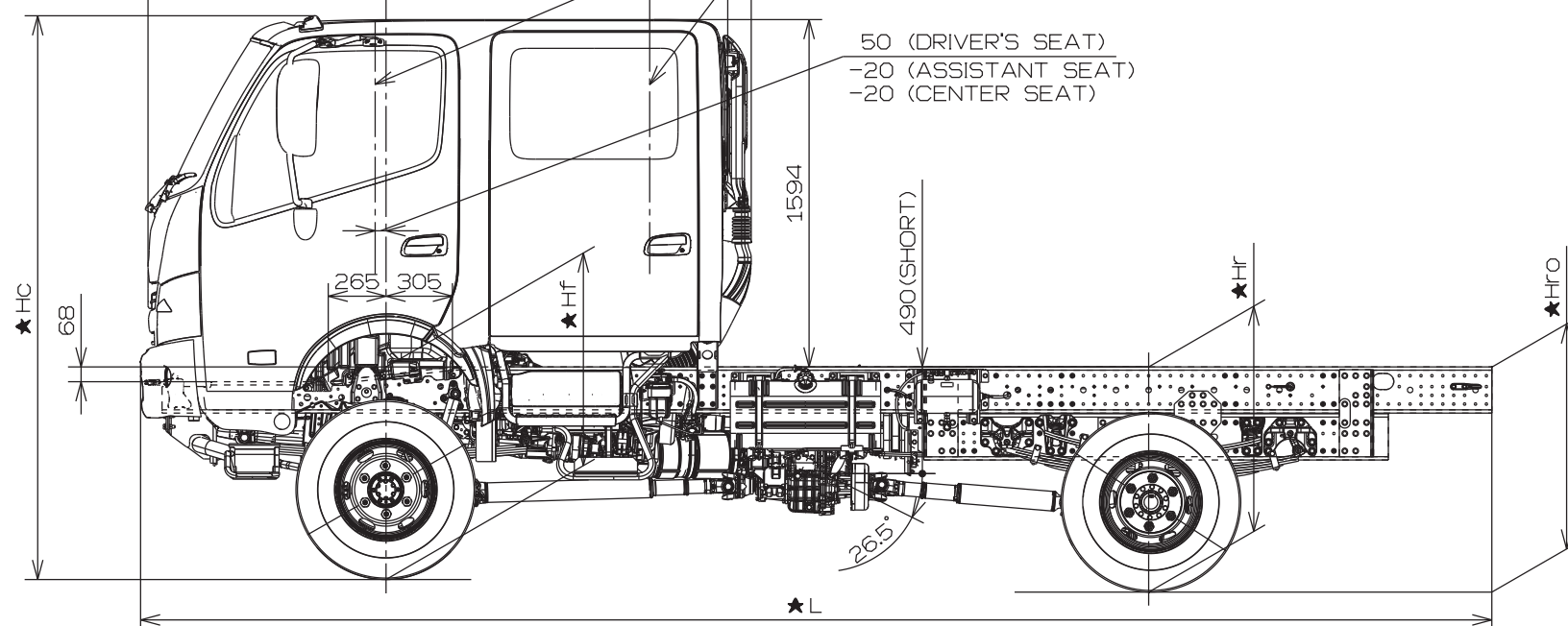
- The dimensions described above are designed figure under the chassis condition.
- When selected or fitted optional equipment or local parts such as tire, leaf spring, fuel tank and etc., should be examined the frame height from ground by body manufacturer.
- Figures marked "★" dimensions are measured in parallel with the surface of the ground.

No. CH-2

Unit : mm



MODEL	TIRE SIZE	A	B	C	D	Tr	DETAIL OF ★L				★L	★Hc	★Hf	★Hr	★Hro
							FRAME	HOOK	SPARE TIRE	Rr. BUMPER					
XZC810R-QKFRTQ3	8.5R17.5-121/120	254	2131	1610	990	1660	6205	-	-	-	6205	2566	940	1023	1061



[NOTE]

- The dimensions described above are designed figure under the chassis condition.
- When selected or fitted optional equipment or local parts such as tire, leaf spring, fuel tank and etc., should be examined the frame height from ground by body manufacturer.
- Figures marked "★" dimensions are measured in parallel with the surface of the ground.