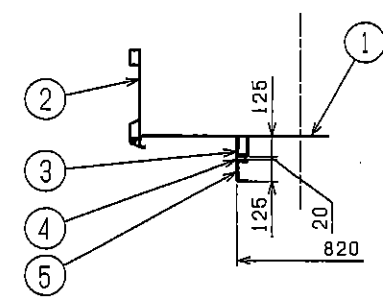
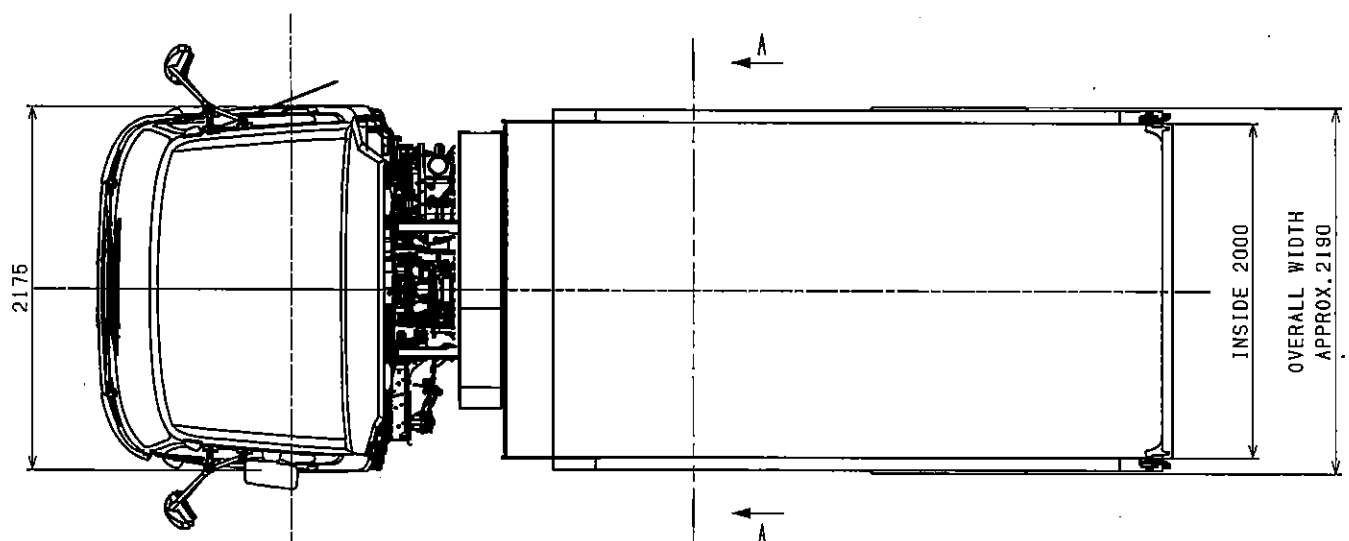


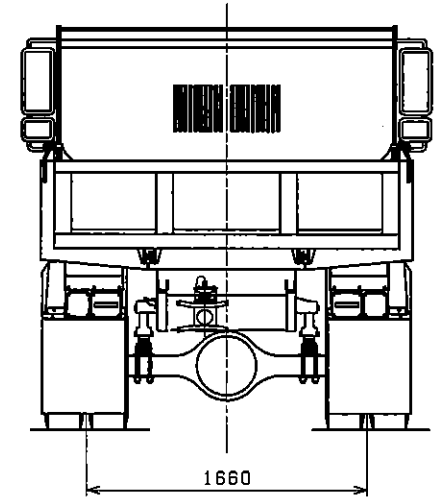
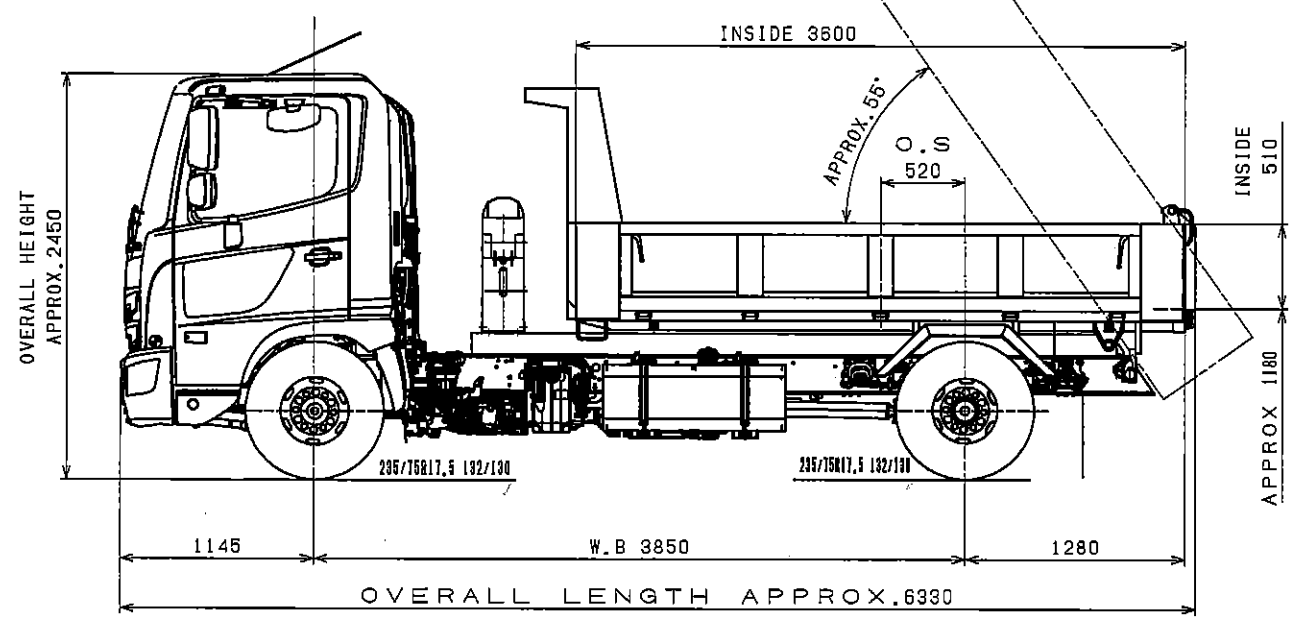
500 Series FC1124 Tipper Body Drawings

Model	Product Code	Body drawings
FC1124 MT LEAF 3850 TIPPER 3.6	FC2AG1A-DBAAE T3.6	Page 2
FC1124 MT LEAF 3850 TIP PRO 4	FC2AG1A-DBAAE TP4.0	Page 3



A-A SECTION

Description	Dimension	Material
1 Deck plate	t6.0	Mild Steel
2 Side plate	t9.2	Mild Steel
3 Deck frame	t6.0	Mild Steel
4 Spacer	□ 20x50	Plastic
5 Sub-frame	t4.0	Mild Steel

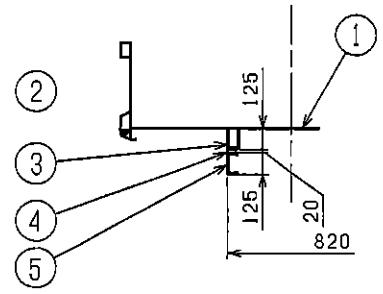
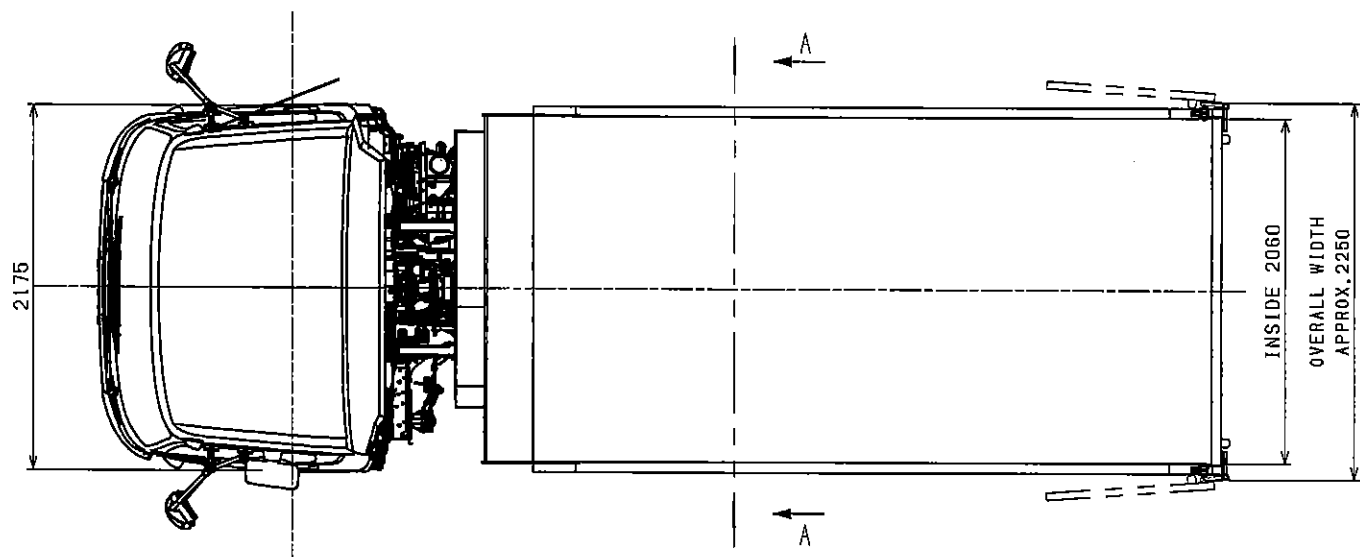


VOLUME(3.6 m³)

DRAWING NO. HD03-01042	REAR DUMP TRUCK(DROP SIDE)
DATE SEP. 03. 2018	CHASSIS MODEL HINO FC2A61A

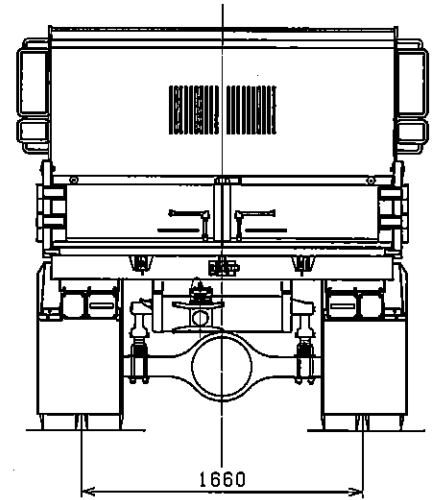
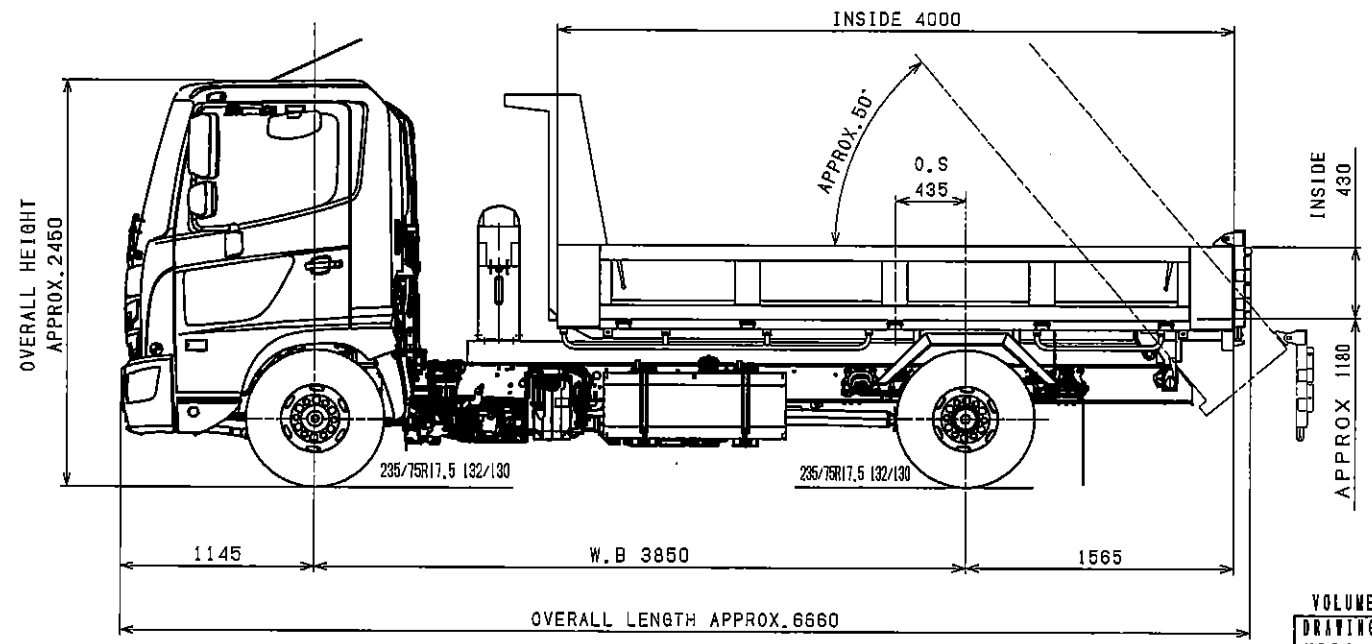


HINO MOTORS, LTD.



A-A SECTION

Description	Dimension	Material
1 Deck plate	t6.0	Mild Steel
2 Side plate	t3.2	Mild Steel
3 Deck frame	t6.0	Mild Steel
4 Spacer	□ 20x50	Plastic
5 Sub-frame	t4.0	Mild Steel



VOLUME(3.5 m³)

DRAWING NO. HDD3-01043	REAR DUMP TRUCK(DROP SIDE)
DATE SEP. 03. 2018	CHASSIS MODEL HINO FC2AG1A



HINO MOTORS, LTD.