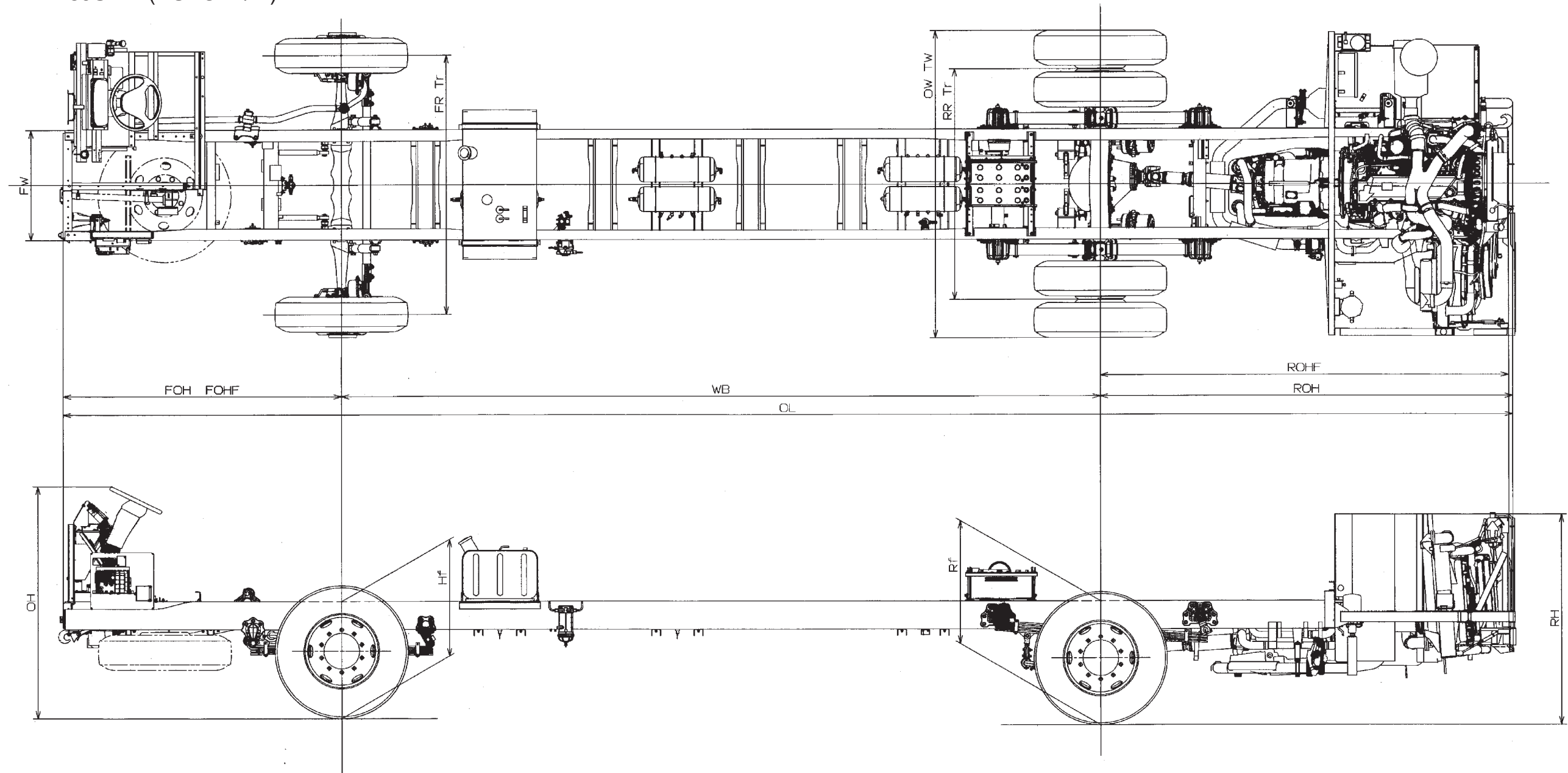


CHASSIS DRAWING

MODEL : RK8JSMA (AUTO. T/M)

Unit : mm



	Tire Size		Tire Size		Tire Size		Tire Size
WB	6000	OH	11R22.5	approx. 1855	FOH		2200
OL	11460	Hf	11R22.5	955	FOHF		FOH&同U
OW	11R22.5	Hr	11R22.5	995	ROH		3260
TW	OW&同U	RH	11R22.5	approx. 1695	ROHF		3225
FW	870				FR Tr		2035
					RR Tr		1840

[NOTE]

- The dimension described above are designed figure under the chassis condition.
- When selected or fitted optional equipment or local parts such as tire, leaf spring, fuel tank and etc., should be examined the frame height from ground by body builder.