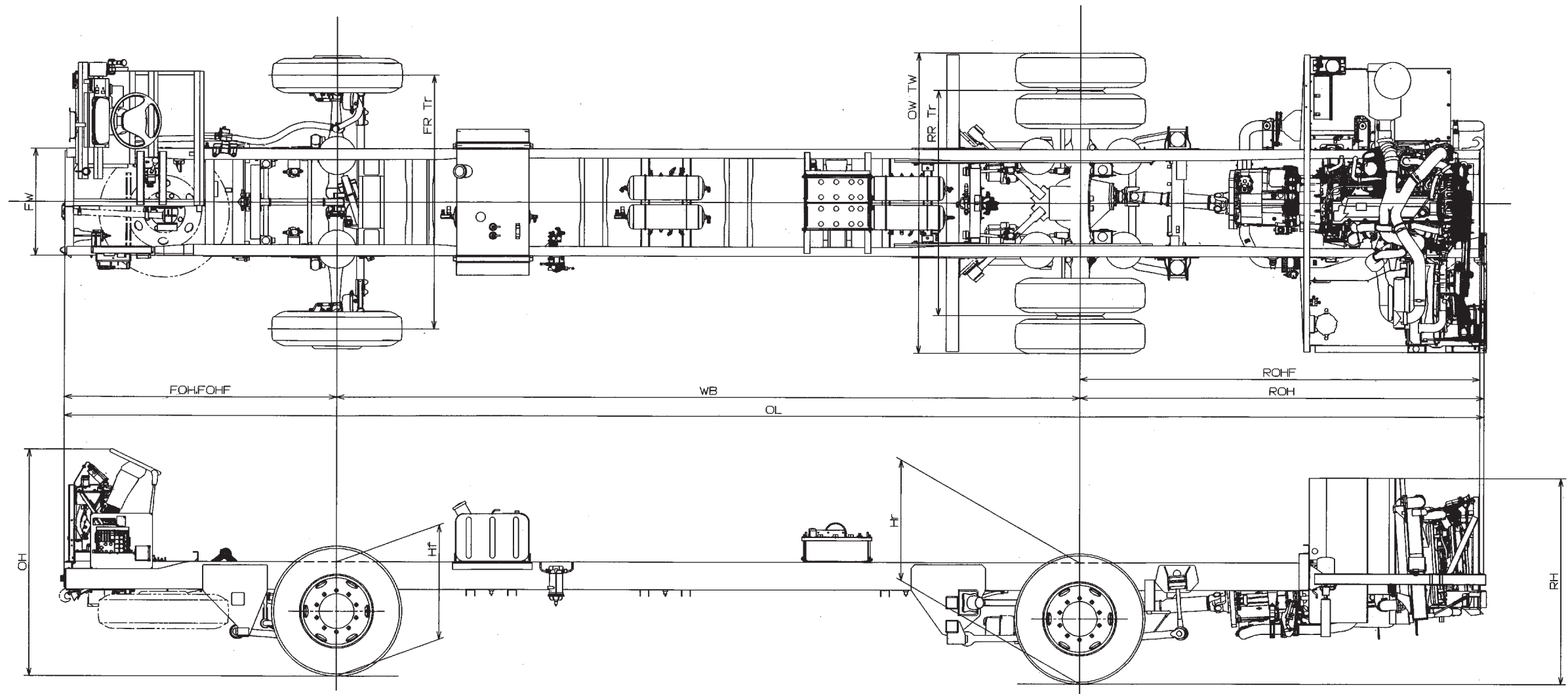


CHASSIS DRAWING

MODEL : RN8JSMA (FOR ZF6S1000BD)

Unit : mm



	Tire Size		Tire Size		Tire Size	
WB	6000	OH	11R22.5	approx. 1835	FOH	2200
OL	11460	H ₁	11R22.5	925	FOHF	FOH+同L
OW	11R22.5	H ₂	11R22.5	935	ROH	3260
TW	OW+同L	RH	11R22.5	approx. 1625	ROHF	3225
FW	870				FR Tr	2035
					RR Tr	1820

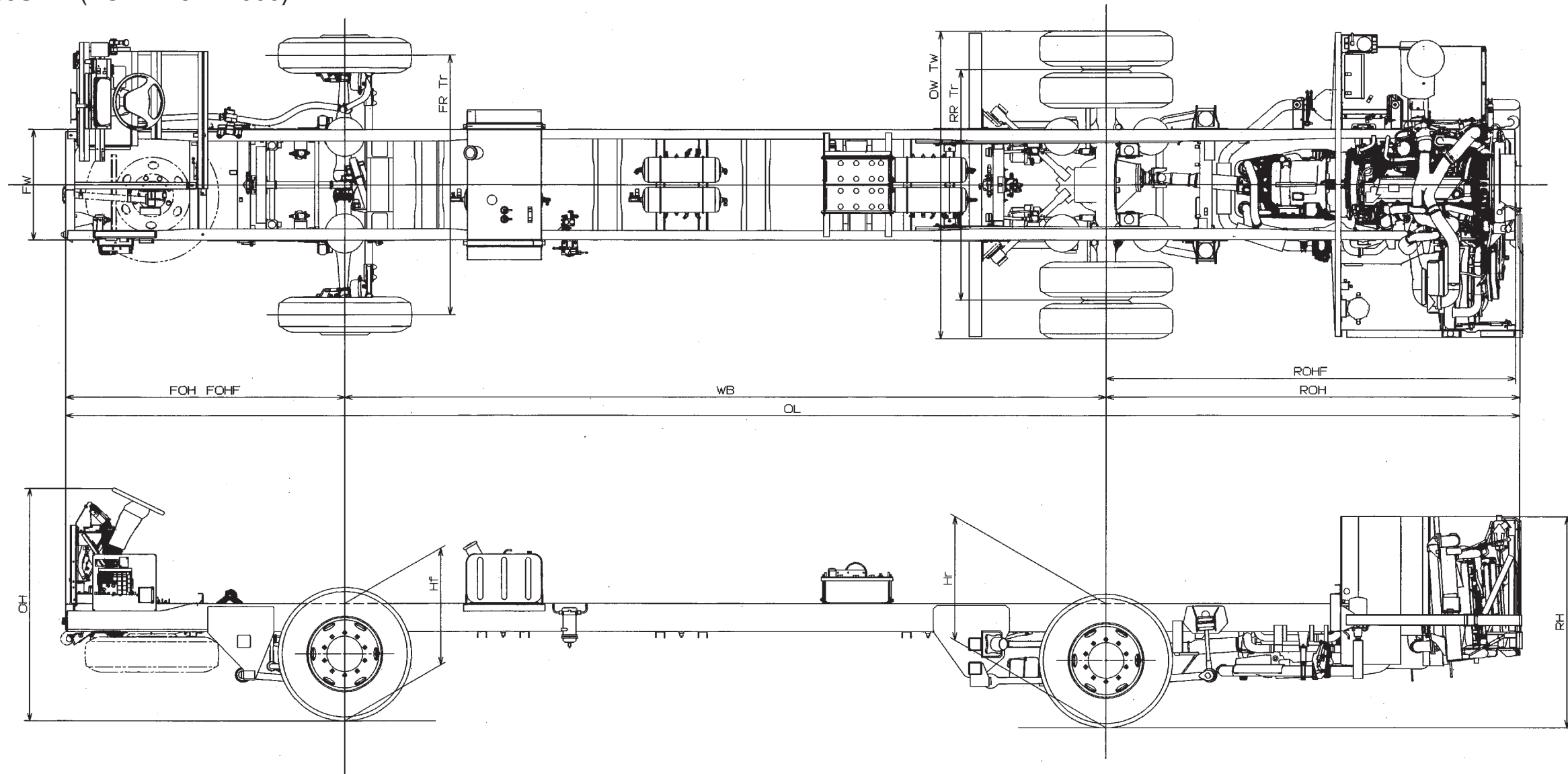
[NOTE]

- The dimension described above are designed figure under the chassis condition.
- When selected or fitted optional equipment or local parts such as tire, leaf spring, fuel tank and etc., should be examined the frame height from ground by body builder.

CHASSIS DRAWING

MODEL : RN8JSMA (FOR ZF6AP1000)

Unit : mm



	Tire Size		Tire Size		Tire Size		Tire Size
WB	6000	OH	11R22.5	approx. 1835	FOH	2200	
OL	11460	HF	11R22.5	925	FOHF	FOH+OH	
OW	11R22.5	HR	11R22.5	935	ROH		
TW	OW+OH	URH	11R22.5	approx. 1625	ROHF	3225	
FW	870				FR Tr	2035	
					RR Tr	1820	

[NOTE]

- The dimension described above are designed figure under the chassis condition.
- When selected or fitted optional equipment or local parts such as tire, leaf spring, fuel tank and etc., should be examined the frame height from ground by body builder.