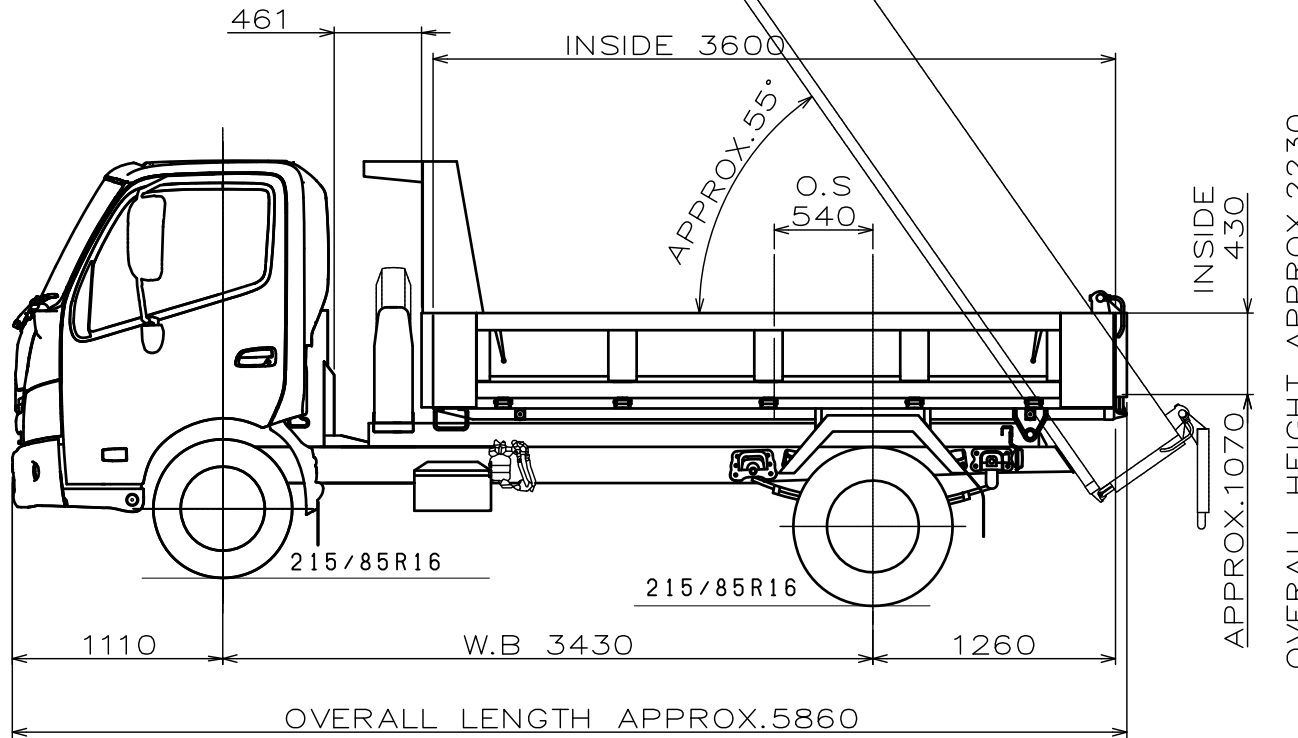


A-A SECTION

| Description | Dimension | Material |
|--------------|-----------|------------|
| 1 Deck plate | t3.2 | Mild Steel |
| 2 Side plate | t2.3 | Mild Steel |
| 3 Deck frame | t4.0 | Mild Steel |
| 4 Spacer | □20x50 | Plastic |
| 5 Sub-frame | t4.0 | Mild Steel |



OVERALL HEIGHT APPROX. 2230

