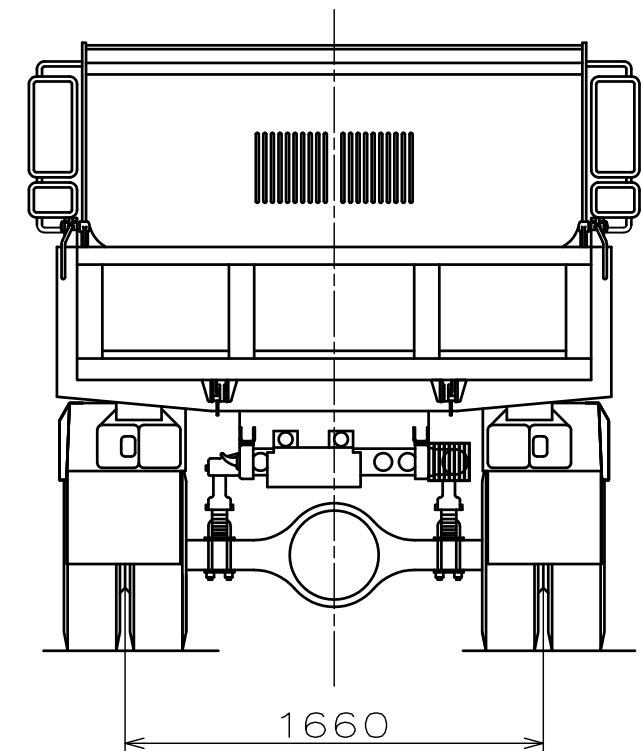
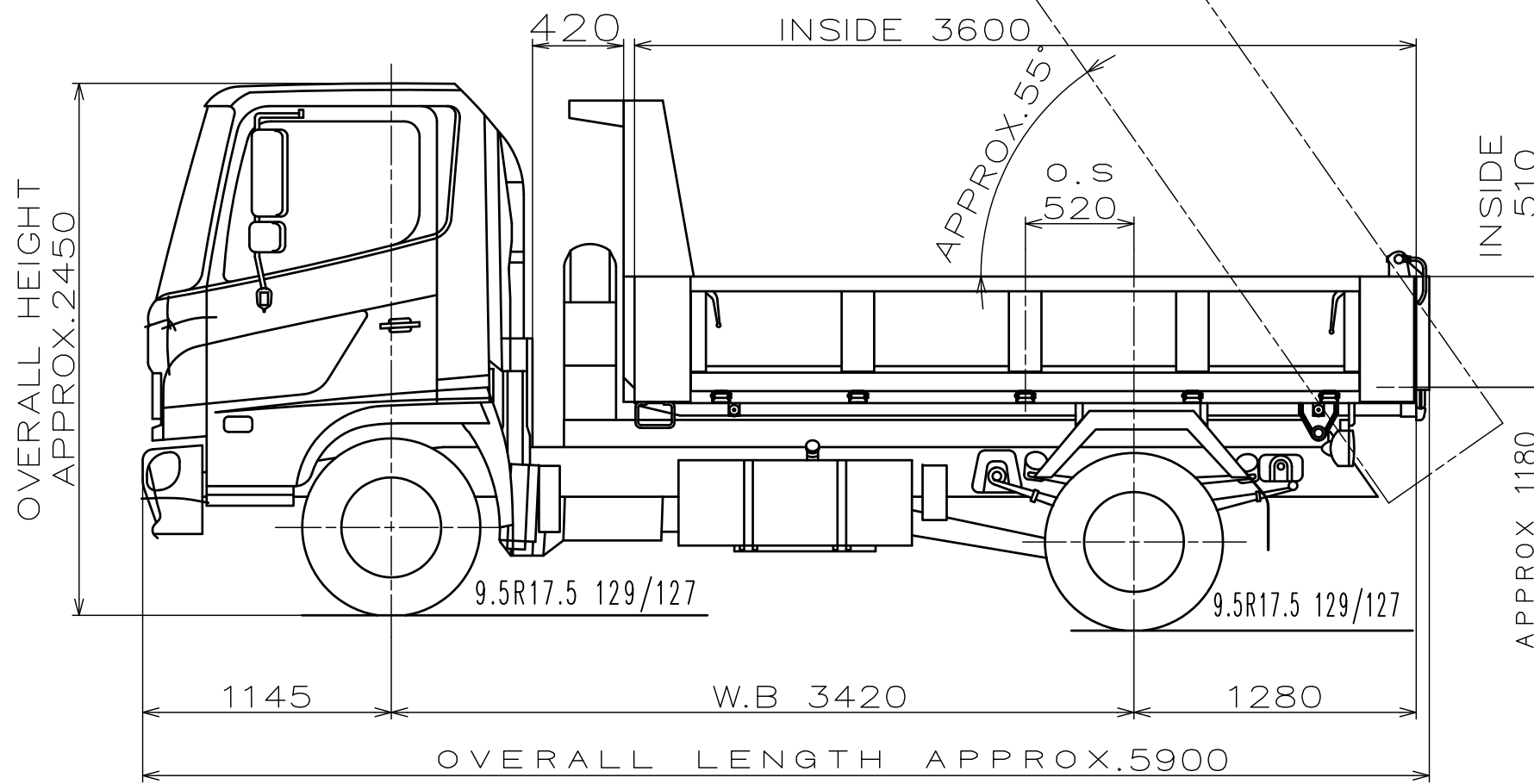


A-A SECTION

	Description	Dimension	Material
1	Deck plate	t6.0	Mild Steel
2	Side plate	t3.2	Mild Steel
3	Deck frame	t6.0	Mild Steel
4	Spacer	□20x50	Plastic
5	Sub-frame	t4.0	Mild Steel

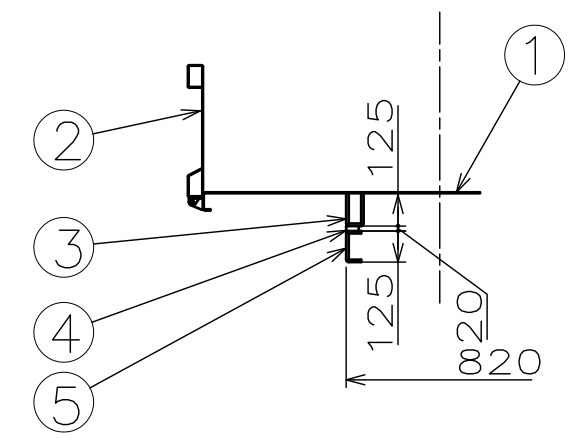
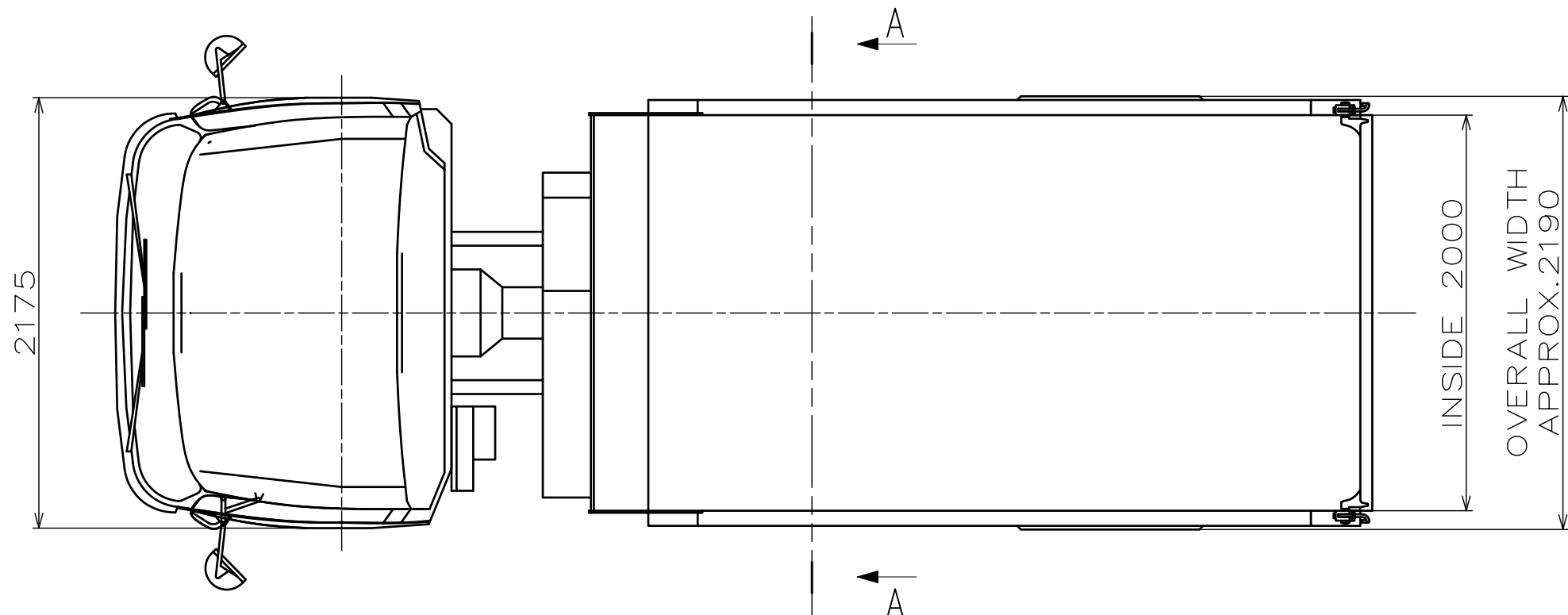


VOLUME(3.6 m<sup>3</sup>)

DRAWING NO. HDD-Y37634	REAR DUMP TRUCK(DROP SIDE)
DATE NOV.18.2010	CHASSIS MODEL HINO FC7JEMM

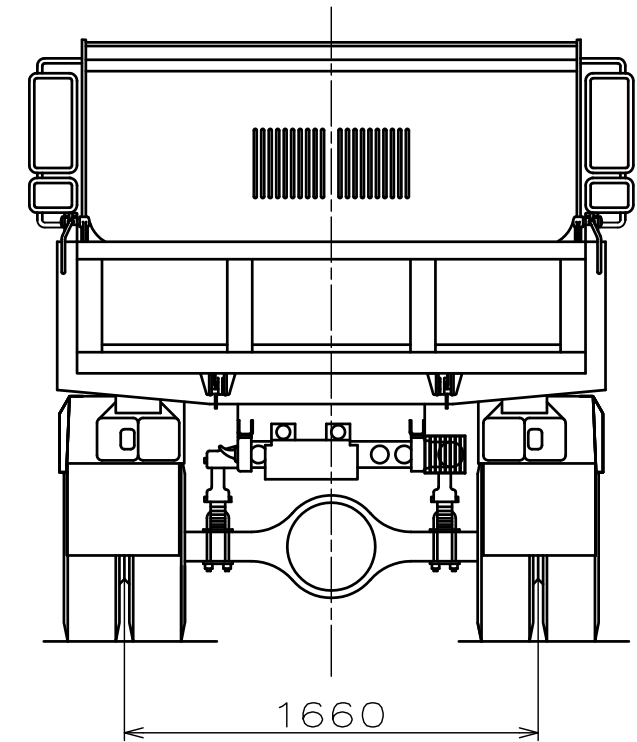
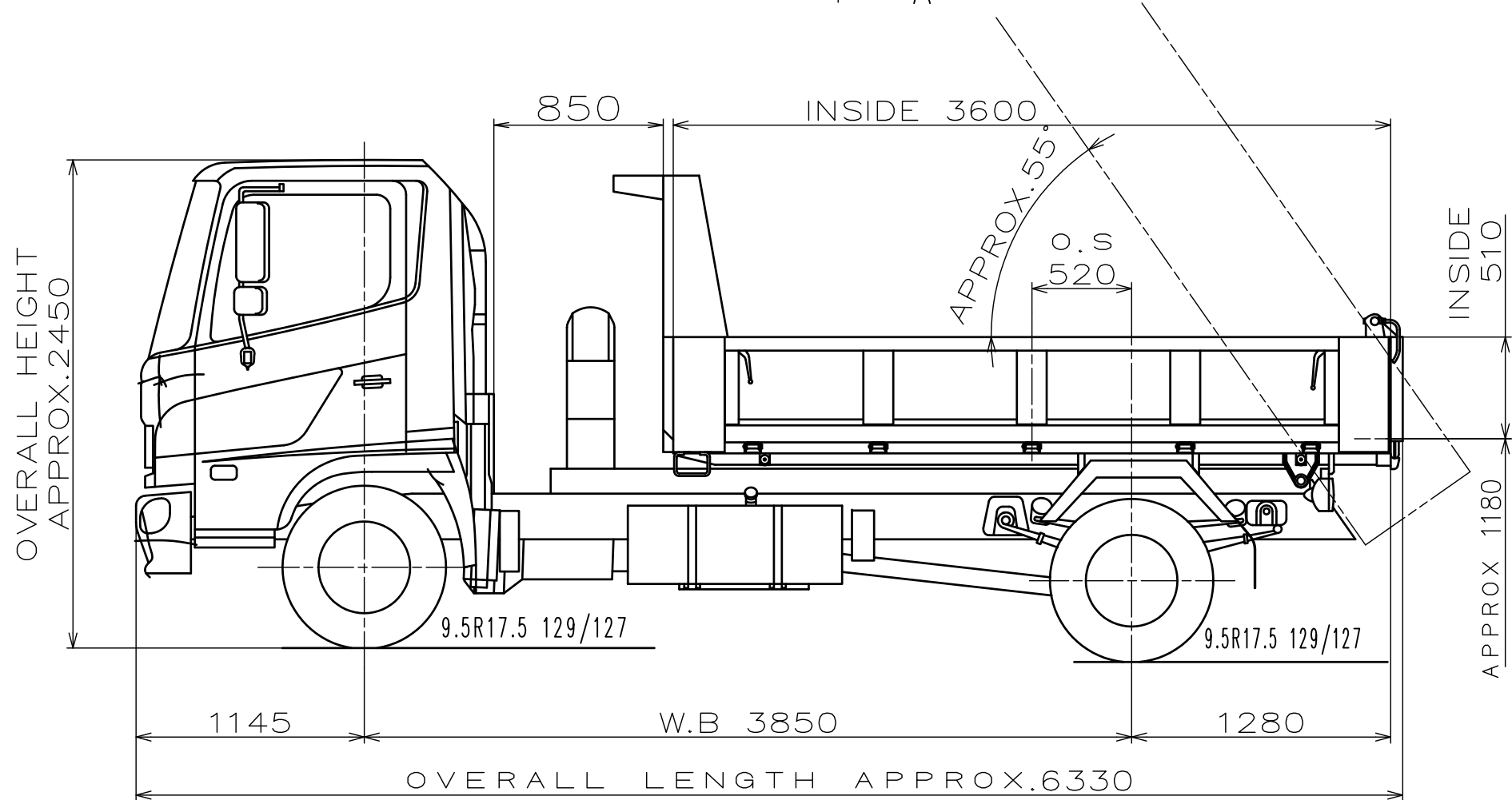
北島 青柳 佐藤

HINO MOTORS, LTD.

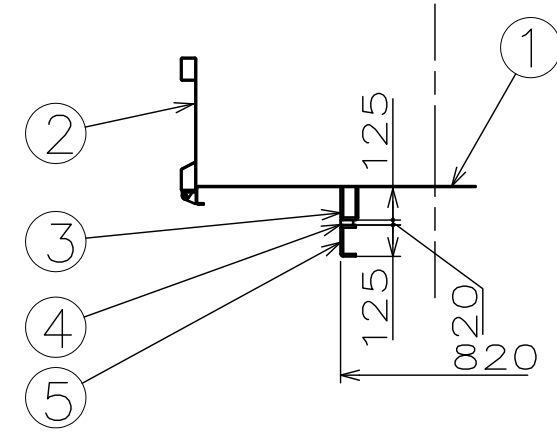
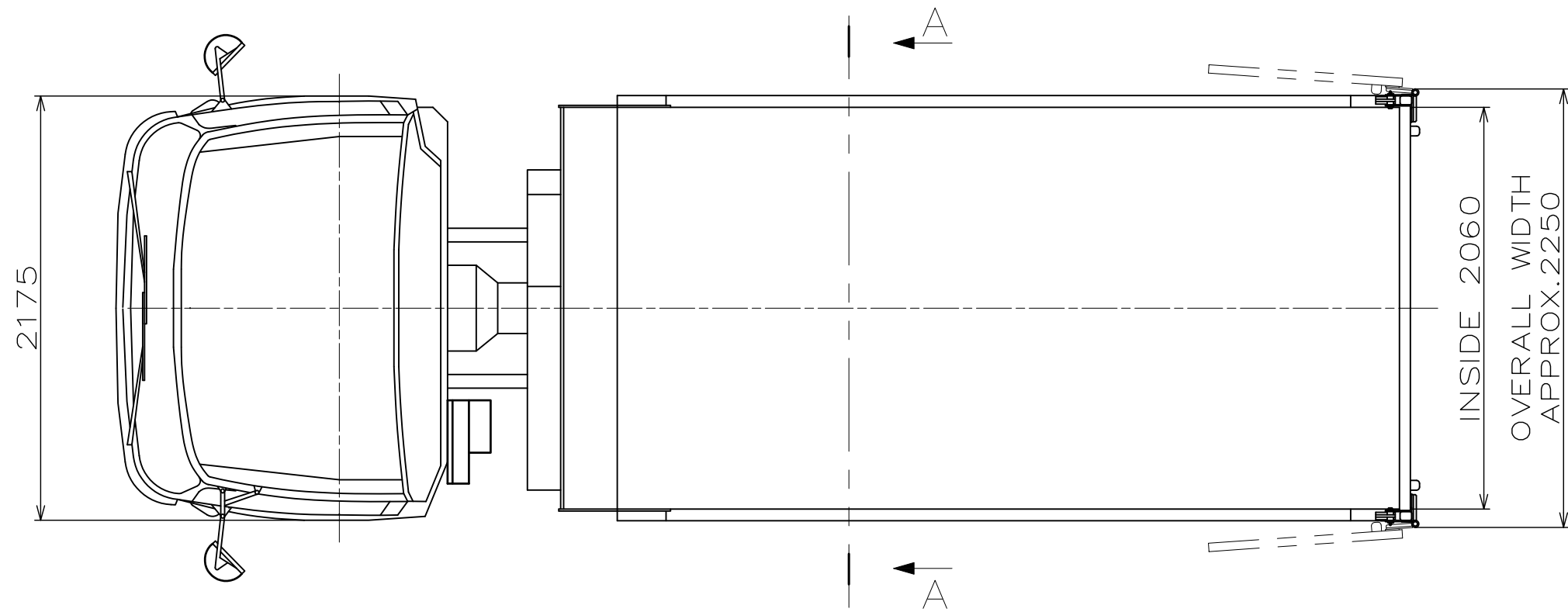


A-A SECTION

Description	Dimension	Material
1 Deck plate	t6.0	Mild Steel
2 Side plate	t3.2	Mild Steel
3 Deck frame	t6.0	Mild Steel
4 Spacer	□ 20x50	Plastic
5 Sub-frame	t4.0	Mild Steel

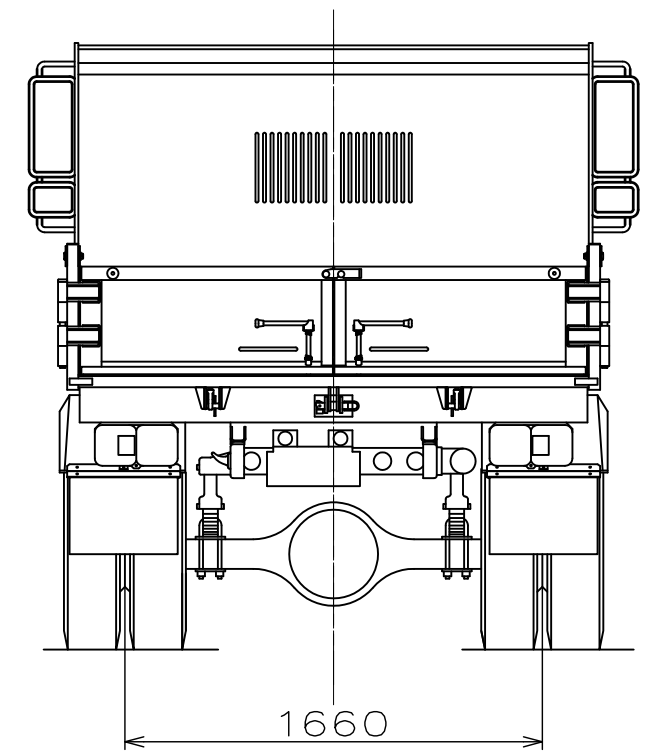
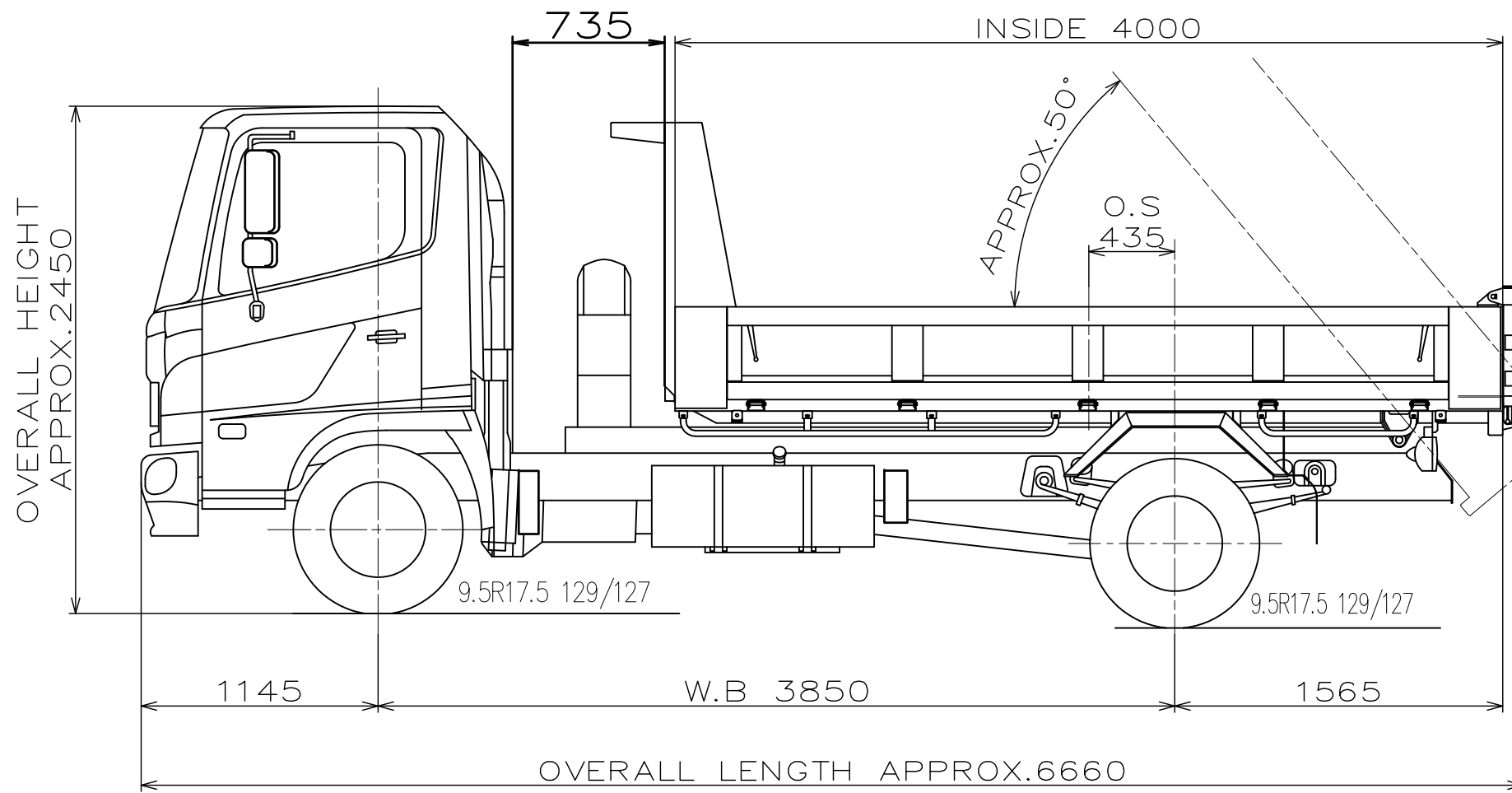


DRAWING NO. HDD-Y37633	REAR DUMP TRUCK(DROP SIDE)
DATE NOV.18.2010	CHASSIS MODEL HINO FC7JGMA
北島 青柳 佐藤	HINO MOTORS,LTD.



A-A SECTION

	Description	Dimension	Material
1	Deck plate	t6.0	Mild Steel
2	Side plate	t3.2	Mild Steel
3	Deck frame	t6.0	Mild Steel
4	Spacer	□20x50	Plastic
5	Sub-frame	t4.0	Mild Steel



VOLUME(3.5 m<sup>3</sup>)

DRAWING NO. HDD-Y37632	REAR DUMP TRUCK(DROP SIDE)
DATE NOV.18.2010	CHASSIS MODEL HINO FC7JGMA

北島 青柳 佐藤

HINO MOTORS, LTD.